

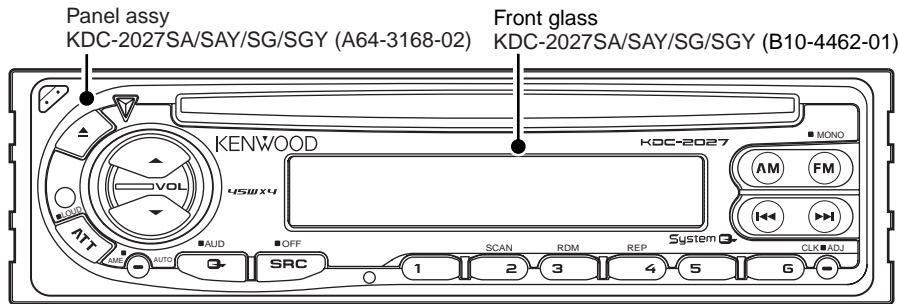
CD RECEIVER

KDC-2027SA/SAY/SG/SGY
 KDC-3027A/AY/G/GY
 KDC-308A/AY/G/GY
 KDC-4027V/VY/Y
 KDC-F327A/G
SERVICE MANUAL

KENWOOD

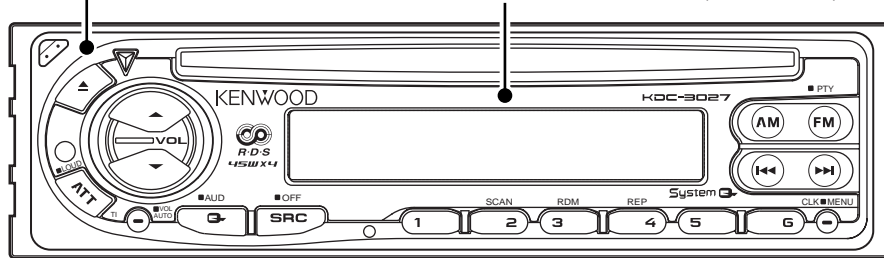
© 2003-11 PRINTED IN JAPAN
 B53-0104-00 (N) 1839

CD mechanism extension cord (22PIN) : W05-0618-00



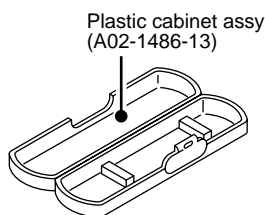
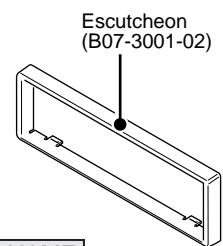
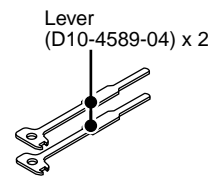
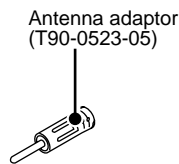
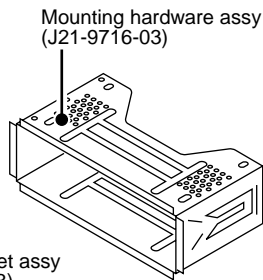
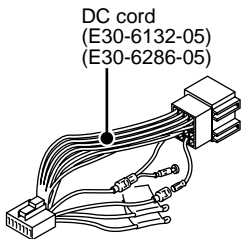
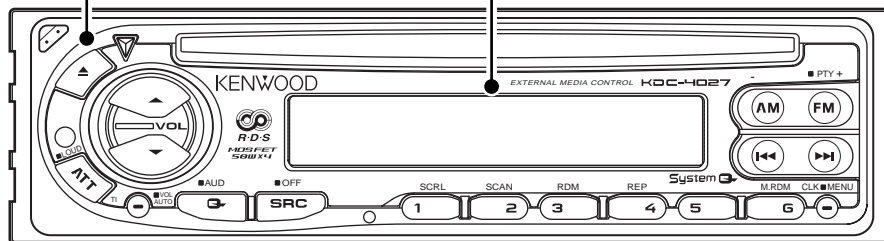
Panel assy
 KDC-3027A/AY/G/GY (A64-3166-02)
 KDC-308A/AY/G/GY (A64-3167-02)
 KDC-F327A/G (A64-3169-02)

Front glass
 KDC-3027A/AY/G/GY (B10-4460-01)
 KDC-308A/AY/G/GY (B10-4461-01)
 KDC-F327A/G (B10-4463-01)



Panel assy
 KDC-4027V/VY/Y (A64-3165-02)

Front glass
 KDC-4027V/VY/Y (B10-4459-01)

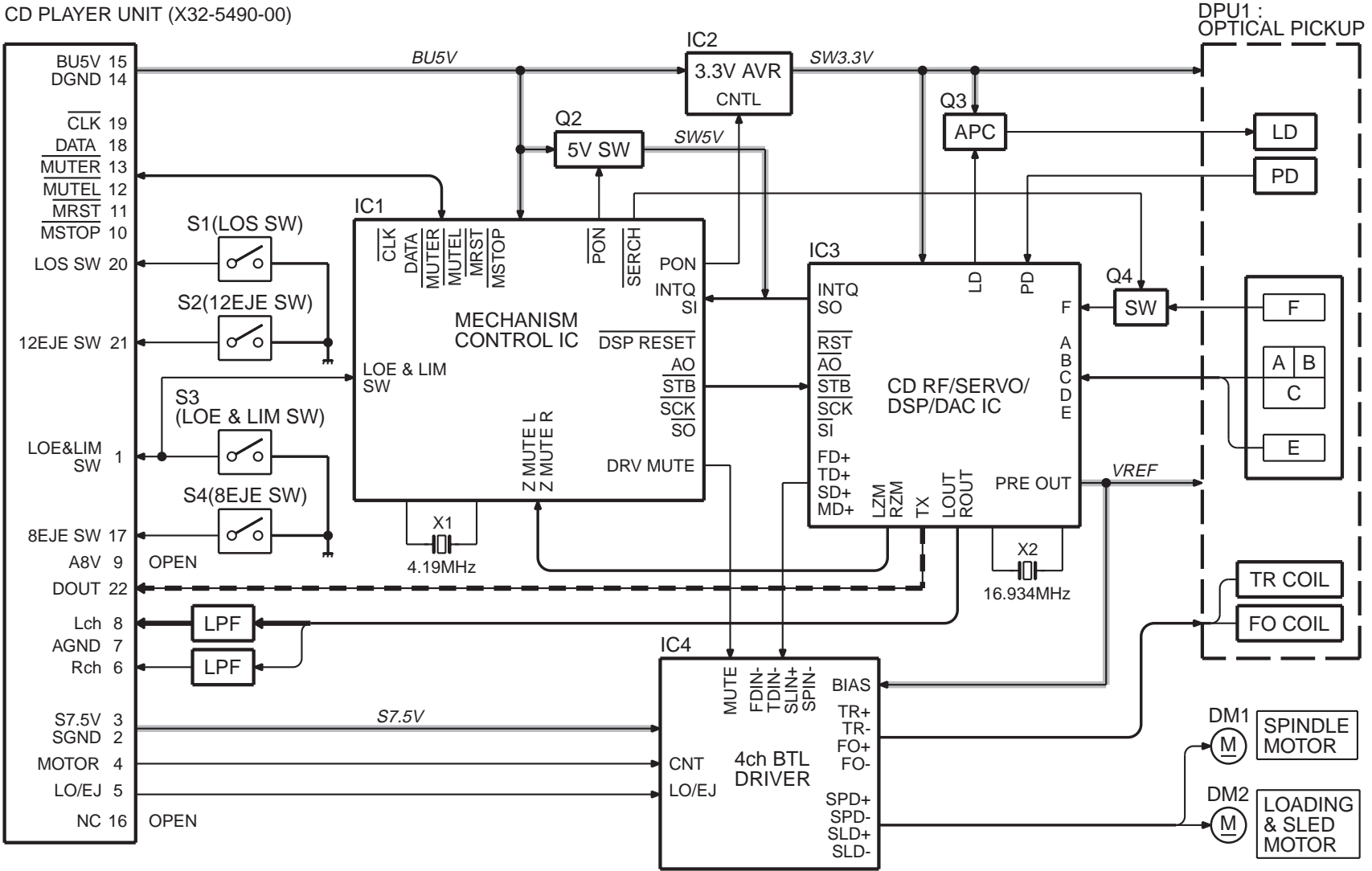


TDF PANEL INFORMATION

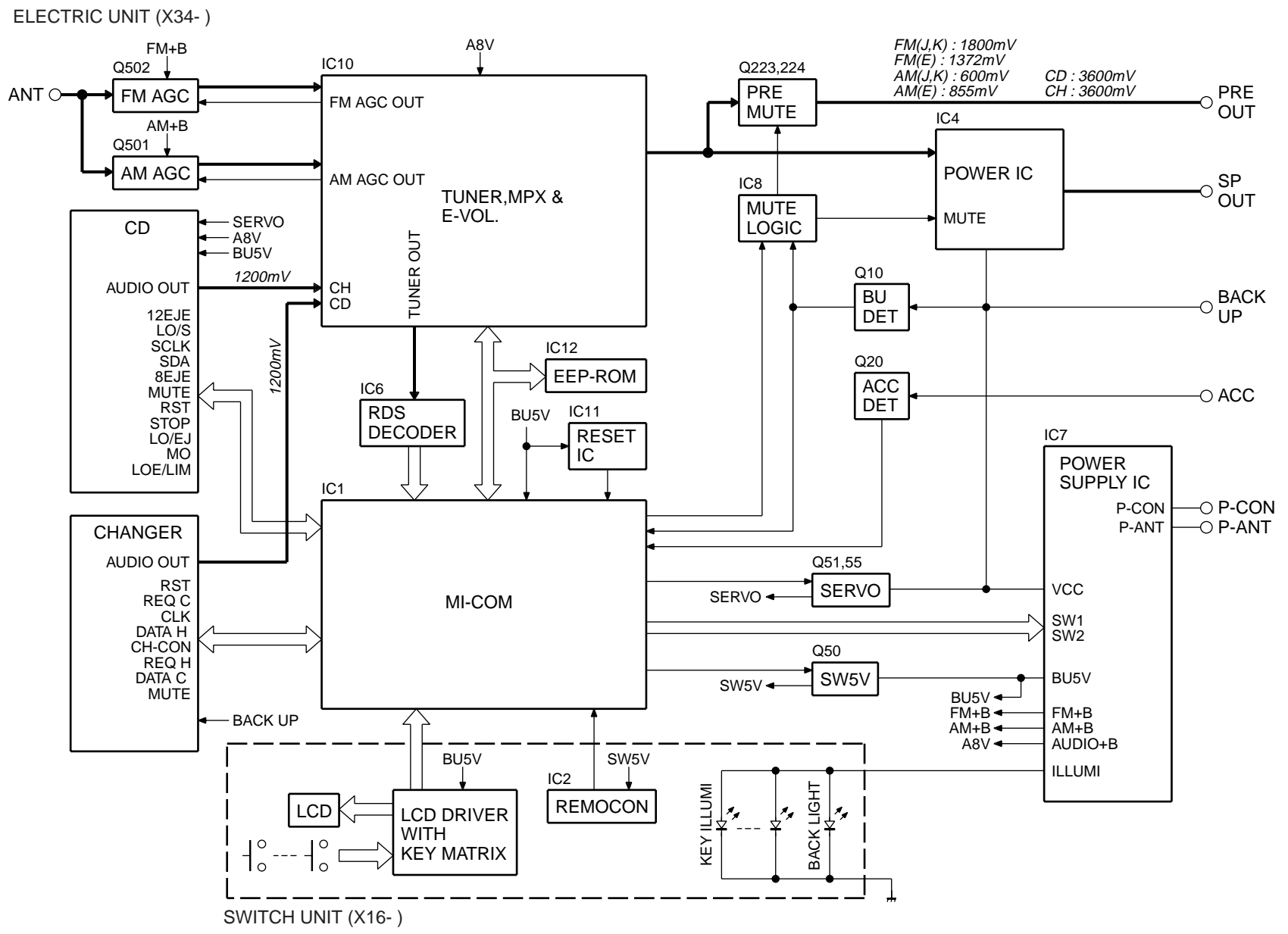
MODEL	PARTS NO.	PANEL NAME
KDC-2027SA/SAY	Y33-1960-64	TDF-2027SA
KDC-2027SG/SGY	Y33-1960-65	TDF-2027SG
KDC-3027A/AY/G/GY	Y33-1960-62	TDF-3027
KDC-308A/AY/G/GY	Y33-1960-63	TDF-308
KDC-4027V	Y33-1960-60	TDF-4027
KDC-4027V/VY	Y33-1960-61	TDF-4027V
KDC-F327A/G	Y33-1960-66	TDF-F327



CD PLAYER UNIT (X32-5490-00)



KDC-2027SA/SAY/SG/SGY, 3027A/AY/G/GY
 KDC-308A/AY/G/GY, 4027N/V/Y/Y, F327A/G
BLOCK DIAGRAM



COMPONENTS DESCRIPTION

● SWITCH UNIT (X16-2462-7x/2472-7x)

Ref No.	Application/Functions	Operation/Condition/Compatibility
IC1	LCD driver	LCD derive & Key input interface
IC2	Sensor	Remote control sensor
Q1	Key scan detect	key scan start at base gose "L".
Q2	LED SW	When Q2 base gose "H" LED is light on RED Color
Q3	LED SW	When Q2 base gose "H" LED is light on GREEN Color

● CD PLAYER UNIT (X32-5490-00)

Ref No.	Application/Functions	Operation/Condition/Compatibility
IC1	Mechanism control	When BU5V & MSTOP (12pin) goes "H" (IC1 is active)
IC2	SW3.3V AVR	When CNTL (1pin) goes "H" (SW3.3V AVR : ON)
IC3	CD DSP & servo IC	CD RF amp, Servo, DSP & DAC
IC4	BTL driver	Focus, tracking coil, Sled & Spindle motor driver IC
Q2	SW	SW5V SW transistor
Q3	APC	Auto Power Control
Q4	SW	EQ SW transistor

● ELECTRIC UNIT (X34-3102-7x)

Ref No.	Application/Functions	Operation/Condition/Compatibility
IC1	System control IC	System control microprocessor
IC4	Audio power IC	Audio power amplifier
IC6	RDS decoder	RDS decoder IC
IC7	Power supply IC	Multi AVR IC (for 5V, 8V, P-CON & P-ANT)
IC8	Muting logic IC	Control for MUTE, P-ANT & RESET muting
IC10	E-VOL & tuner IC	E-VOL. FM/AM tuner & stereo decoder
IC11	Reset IC	When BU5V line voltage is less than 3.5V, this IC output line is "L"
IC12	E2PROM	Memorized tuner adjustment data (save & load)
Q10	BU detector	When the base goes "H" during BU applied (ON)
Q20	ACC detector	When the base goes "H" during ACC applied (ON)
Q40	Muting driver foe Q223, 224	When the base goes "L" (Muting : ON)
Q50	SW5V	When the base goes "L" (SW5V : ON)
Q51	SW	Control SW for IC7
Q55	SERVO +B AVR	Servo AVR (7.4V)
Q70	Serge detector	When the base goes "H" (Serge detection)
Q101	DSI illumination SW	When the base goes "L" (DSI illumination : ON)
Q102	Panel 5V SW	When the base goes "L" (Panel 5V : ON)
Q201	Noise buffer	Tuner audio noise buffer amplifier
Q223,224	Preout muting SW	When the base goes "H" (Preout muting : ON)
Q251	SW	When the base goes "L" (IC4 : ON)
Q252	Smeter RC & MPHTC SW	RC & TC is "LONG" when the base is "H" (base is "L" is AF search)
Q253	Smeter RC & MPHTC SW	When collector is "H", emitter is "H"
Q501	AM RF amplifier	When the base goes "H" (RF circuit gain is up)
Q502	FM RF amplifier	When the base goes "H" (RF circuit gain is up)
Q503	MPX buffer	MPX input buffer with RDS

KDC-2027SA/SAY/SG/SGY, 3027A/AY/G/GY
KDC-308A/AY/G/GY, 4027/V/VY/Y, F327A/G

MICROCOMPUTER'S TERMINAL DESCRIPTION

● SYSTEM MICROCOMPUTER : UPD780058GC55x (X34 : IC1)

Pin No.	Name	I/O	Description	Processing Operation
1	PANEL	I	Panel detection	H : Panel detached, L : Panel attached
2	8EJE SW	I		H : Eject is completed Except 8cm CD model : Always output L
3	NC	O	Not used (out put L)	
4	Avss			
5	L-RST	O	LCD driver RESET	H : Panel detached, L : RESET Normal H, Power off L When 7seg model, output L
6	L-CE	O	LCD driver selection	H : Select (panel communication) When panel attached, output L
7	AVREF1			
8	NC		Not used (connected to 9pin)	
9	IC10-DATA	I/O	IC10, E2PROM data communication	Non communication : H
10	IC10-CLK	O	IC10, E2PROM clock communication	Non communication : H
11	L-DATAL	I	Data input from the LCD driver	Non communication : H When panel detached : L Pull down on X34 unit, Pull up on X16 unit
12	L-DATAS	O	Data output to the LCD driver	When panel detached, output L
13	L-CLK	O	Clock output to the LCD driver	When panel detached, output L
14	R-DATA	I	Data input from the RDS	Except RDS model : Output L
15	R-QUAL	I	Quality input from the RDS	Except RDS model : Output L
16	CH-DATAC	I	Data input from the changer (new 5L)	Except changer model : Output L
17	CH-DATAH	O	Data output to the changer (new 5L)	When non communication, last data keeping Except changer model : Output L
18	CH-CLK	I/O	Clock input/output with the Changer (new 5L)	Check the old and new Except changer model : Output L
19	CH-REQH	O	Request output to the changer (new 5L)	L : Requeset Except changer model : Output L
20	NC	O	Not used (output L)	
21	AFS	O	Noise detection time constant switching terminal	H : Normal, L : FM/AM seek and AF search (When tuner SRC auto zero, L)
22-24	NC	O	Not used (output L)	
25	CH-CONT	O	Changer control	H : Changer on, L : Changer off Except changer model : Output L
26	TYPE REF	O	5V lines output for destination setting	H : During destination reading
27	SD	I	Tuner SD input	H : Station detected
28	NC	O	Not used (output L)	
29	TYPE2	I	Destination type selection terminal 2	Refer to destination type list.
30	TYPE1	I	Destination type selection terminal 1	Refer to destination type list.

MICROCOMPUTER'S TERMINAL DESCRIPTION

Pin No.	Name	I/O	Description	Processing Operation																																				
31	TYPE0	I	Destination type selection terminal 0	Refer to destination type list.																																				
32	TUNER-TYPE1	I	Destination available/genuine model rool off	H : Genuine model 1, L : Available model																																				
33	Vss1																																							
34	TUNER-TYPE0	I	Destination available/genuine model noise cancel	H : Genuine model 0, L : Available model																																				
35	MUTE	O	Mute (E.Vol, Preset) control	H : Mute on, L : Mute off Power off after that 15 second L																																				
36	M-DATA	I/O	Data input/output with the CD mechanism	Non communication : H																																				
37	M-CLK	O	Clock output to the CD mechanism	Non communication : H																																				
38	ADJ	O	Tuner lines adjustment	When adjustment = H PS1-0, 1=L PS1-2, 2-0, 1=Hi-z IC10-DATA, CLK=Hi-z																																				
39	P-MUTE	O	Power IC mute control	H : Mute off, L : Mute on Power off after that 15 second H																																				
40	SVR	O	Power IC servo control	H : When momentary power down detected L : Nomal																																				
41	P-STBY	O	Power IC standby control	H : Power IC ON, L : Power IC OFF																																				
42	SW5V	O	SW 5V control	H : SW5V OFF, L : SW5V ON Power off after that 10 second H																																				
43	B.U-DET	I	Back up detection terminal	H : Power down, L : B.U. on																																				
44	ACC-DET	I	ACC detection terminal	H : ACC OFF, L : ACC ON																																				
45	PS1-0	O	Power supply IC SW1 control 0 Audio 8V, P-CON	<table border="1"> <thead> <tr> <th colspan="3">BA4911 SW1</th> <th colspan="3">Power supply IC output</th> </tr> <tr> <th>PS1-2</th> <th>PS1-1</th> <th>PS1-0</th> <th>A8V</th> <th>P-CON</th> <th>P-ANT</th> </tr> </thead> <tbody> <tr> <td>L</td> <td>L</td> <td>L</td> <td colspan="3">STANDBY</td> </tr> <tr> <td>L</td> <td>L (H)</td> <td>H (L)</td> <td>ON</td> <td>OFF</td> <td>OFF</td> </tr> <tr> <td>L</td> <td>H</td> <td>H</td> <td>ON</td> <td>ON</td> <td>OFF</td> </tr> <tr> <td>H</td> <td>H</td> <td>H</td> <td>ON</td> <td>ON</td> <td>ON</td> </tr> </tbody> </table>	BA4911 SW1			Power supply IC output			PS1-2	PS1-1	PS1-0	A8V	P-CON	P-ANT	L	L	L	STANDBY			L	L (H)	H (L)	ON	OFF	OFF	L	H	H	ON	ON	OFF	H	H	H	ON	ON	ON
BA4911 SW1			Power supply IC output																																					
PS1-2	PS1-1	PS1-0	A8V		P-CON	P-ANT																																		
L	L	L	STANDBY																																					
L	L (H)	H (L)	ON	OFF	OFF																																			
L	H	H	ON	ON	OFF																																			
H	H	H	ON	ON	ON																																			
46	PS1-1	O	Power supply IC SW1 control 1 Audio 8V, P-CON																																					
47	PS1-2	O	Power supply IC SW1 control 2 P-ANT																																					
48	PS2-0	O	Power supply IC SW2 control 0 ILLUMI, FM, AM	<table border="1"> <thead> <tr> <th colspan="2">BA4911 SW2</th> <th colspan="3">Power supply IC output</th> </tr> <tr> <th>PS2-1</th> <th>PS2-0</th> <th>ILLUMI</th> <th>FM</th> <th>AM</th> </tr> </thead> <tbody> <tr> <td>L</td> <td>L</td> <td colspan="3">STANDBY</td> </tr> <tr> <td>L (H)</td> <td>H (L)</td> <td>ON</td> <td>ON</td> <td>OFF</td> </tr> <tr> <td>H</td> <td>H</td> <td>ON</td> <td>OFF</td> <td>ON</td> </tr> </tbody> </table>	BA4911 SW2		Power supply IC output			PS2-1	PS2-0	ILLUMI	FM	AM	L	L	STANDBY			L (H)	H (L)	ON	ON	OFF	H	H	ON	OFF	ON											
BA4911 SW2		Power supply IC output																																						
PS2-1	PS2-0	ILLUMI	FM		AM																																			
L	L	STANDBY																																						
L (H)	H (L)	ON	ON	OFF																																				
H	H	ON	OFF	ON																																				
49	PS2-1	O	Power supply IC SW2 control 1 ILLUMI, FM, AM																																					
50	BEEP		BEEP																																					
51	DSI	O	DSI control	H : Light on, L : Light off When panel attached, output L When panel detached, flashing at the panel (H/L) FIX model is output L																																				
52	NC	O	Not used (out put L)																																					
53	NC	O	Not used (out put L)																																					

MICROCOMPUTER'S TERMINAL DESCRIPTION

Pin No.	Name	I/O	Description	Processing Operation
54	LOE/LIM SW	I	CD mechanism down&limit detection	H : Chucking detection, L : Normal
55	MO SW	O	CD mechanism loading motor control output	H : Loading, Eject, Break, L : Play
56	LO/EJ	I/O	CD mechanism loading/Eject switching terminal	H : Eject, L : Loading
57	M-STOP	O	Stop output to the CD mechanism	H : Play, L : Stop
58	M-RST	O	Reset output to the CD mechanism	H : Normal, L : CD mechanism reset
59	M-MUTE	I	Mute input from the CD mechanism	H : Mute off, L : Mute on
60	RESET		Reset input from the System microcomputer	
61	REMO	I	Remote control input	
62	R-CLK	I	RDS clock input	Except RDS model : Output L
63	CH-REQC	I	Request input from the changer (new 5L)	H : Changer detection L : Request Except Changer model : Output L
64	LOS SW	I	CD mechanism loading's switch detected	H : No disc L : Disk in (Loading Start)
65	KEY-REQ	I	Key input detected (11pin L connected to the DATA L)	H : Key no input L : Key input (edge key data reading start)
66	12EJE SW	I	12cm disc detected	L : 12cm disc
67	Vss0			
68	VDD1			
69	X2		MAIN X'tal oscillating circuit	4.19MHz X'tal connection
70	X1		MAIN X'tal oscillating circuit	4.19MHz X'tal connection
71	IC		TEST	
72	XT2		Not used	OPEN
73	XT1			
74	VDD0		VDD	Connected to VDD
75	AVREF0		A/D converter reference voltage control output, connection to the 80pin AVCONT	
76	S-METER	I	S-meter input	
77	NOISE	I	FM noise detection input	
78	PHONE	I	2 way mute	2.5V or greater : NAVI MUTE 1.0V or less : TEL MUTE Except phone mute model : Output L
79	NC	O	Not used (out put L)	
80	AVCONT	O	A/D converter standard voltage control output	H : During A/D converter active same timing with PON

MICROCOMPUTER'S TERMINAL DESCRIPTION

● CD MECHANISM CONTROL IC : 789166YGB-A513 (X32 : IC1)

Pin No.	Name	I/O	Description	Processing Operation
1~6	NC	I	NC	GND
7	ZMUTE_L	I	0 bit MUTE detect (Lch)	Less than 54h : NORMAL, More than 54h : ZMUTE detect
8	ZMUTE_R	I	0 bit MUTE detect (Rch)	Less than 54h : NORMAL, More than 54h : ZMUTE detect
9	AVss	-	DGND	
10	/MUTE_L	O	Lch Audio mute control	L : MUTE ON, H : MUTE OFF
11	/MUTE_R	O	Rch Audio mute control	L : MUTE ON, H : MUTE OFF
12	/MSTOP	I	Interruption for stand-by	L : STOP, H : Release for STOP mode
13	INTQ	I	Interruption for DSP IC	H : Interruption
14	/FOGUP	I	Interruption for focus gain up	L : Fo GAIN UP, H : NORMAL
15	PON	O	Power ON/OFF control	H : ON, L : OFF
16	/SCK	O	(for DSP) serial data clock output	
17	Vdd1	-	BU5V	
18	SO	O	(for DSP) serial data output	
19	SI	I	(for DSP) serial data input	
20	/CLK	I/O	(for system control) I2C clock	
21	DATA	I/O	(for system control) I2C data	
22	Vpp	-	(FLASH saving terminal)	
23	XT2	-	NC	OPEN
24	XT1	I	NC	GND
25	/MRESET	I	Reset detect	L : RESET, H : NORMAL
26	X2	-	System clock	4.19MHz
27	X1	I	System clock	4.19MHz
28	Vss0	-	DGND	
29	Vdd0	-	BU5V	
30	LOE&LIM_SW	I	Loading end & limit SW detect	L : Inside detect, H : Outside
31	DRV_MUTE	O	Driver muting	L : MUTE ON, H : MUTE OFF
32,33	NC	O	NC	OPEN
34	/SERCH	O	Condition of serch state	L : Search, H : NORMAL
35	/STB	O	Data strobe signal output	
36	A0	O	Command & parameter signal output	
37	Vss1	-	DGND	
38	/DSP_RESET	O	DSP reset control	L : RESET, H : NORMAL
39~41	NC	O	NC	OPEN
42	/PON	O	Power ON/OFF control	L : ON, H : OFF
43	Avdd	-	BU5V	
44	Avref	-	BU5V	

KDC-2027SA/SAY/SG/SGY, 3027A/AY/G/GY KDC-308A/AY/G/GY, 4027/V/VY/Y, F327A/G TEST MODE

1. How to enter test mode

While holding the FM key and preset 6 key and reset the unit. All display segments light up when the test mode is entered.

2. How to exit from test mode

Reset the unit.

Turning ACC off, power off, momentary power down or panel detaching does not terminate the test mode.

3. Test mode specifications of CD receiver

- Pressing the Track Up key skip to tracks in the following sequence:
No.9 → No.15 → No.10 → No.11 → No.12 → No.13 → No.14 → No.9 (repeats the cycle)
- Pressing the Track Down key skip to the track immediately before the track being played.
- Pressing Preset 1 key skip to track No. 28.
- Forced ejection is not provided.

4. Audio functions

- Pressing the AUDIO key or the “*” key on the remote controller initiates the Audio adjustment mode.
- In the Audio adjustment mode, the Seek Up/Down keys on the remote controller can only be pressed shortly. (They cannot be held depressed.)
- The volume is -10dB (which is displayed as “30”).
- LOUDNESS is OFF.
- The Bass/Treble Up/Down and Balance/Fader Up/Down buttons function as full-boost/full-cut and full-front/full-rear respectively.

5. Menu mode (for 14segment model)

- Pressing the CLK or the DNPP key on the remote controller initiates the Menu mode.
- In the Menu mode, the Seek Up/Down keys on the remote controller can only be pressed shortly. (They cannot be held depressed.)
- With the models incorporating RDS, the first operation in the menu becomes local seek.

6. Version and operating hours display

- The following table shows the key operations and resulting display information.

Key Operation	Display
Pressing Preset 1	Version (Date and time display)
Pressing Preset 2	All display segments light up
Pressing Preset 3	CD operating hours
Pressing Preset 4	E2PROM (Adjustment data for IC10)
Pressing Preset 5	CD ejection count
Pressing Preset 6	Number of times adjustment for IC10

- Holding Preset 3 while the operating hour information is displayed clears it.
- Holding Preset 5 while the ejection count information is displayed clears it.

Adjustment Mode

- Adjustable items

1 : Stereo Decoder	Sub address : 9
2 : Configuration	Sub address : D
3 : Stereo decoder Adjustment	Sub address : E
4 : Hi-Cut	Sub address : C
5 : Field strength control	Sub address : B

Default values

If they are not written in the EEPROM, the default values specified are set in IC10.

Adjustment procedure

- Enter the IC10 Adjustment mode by resetting the unit while holding preset 3 key + preset 6 key.
- Select the TUNER source by pressing SRC.
- When the adjustment mode is entered, the display shows 2-digit hex number.
- When preset 1~5 is recalled, the setting values corresponding to the pressed number are displayed. (The displayed values are those in the RAM.)
- Vary each setting value using ◀◀ and ▶▶ key.
- Store the values in the corresponding preset number.
- The settings can be performed individually for each item. (It is not required to store all the values together.)
- After storing the values, reset the unit to exit from the adjustment mode. The values set in the EEPROM will be read during the resetting.
- When the band is switched, there may be cases in which the preset number being displayed does not coincide with the stored setting value. To check this, be sure to recall the preset number after you switch the band.

Notes

- The items that are not stored will be set to the default values.
- Once a value is stored in memory, the value will always be used later.
(It is not allowed to modify the setting values by switching the destination type.)

KDC-2027SA/SAY/SG/SGY, 3027A/AY/G/GY KDC-308A/AY/G/GY, 4027N/VY/Y, F327A/G

ADJUSTMENT

1. IC10 (TDA7513T) -The Tuner adjustment method

- When IC10 and its circumference are fixed, according to the following order, it readjusts if needed.
- The adjustment item changes with parts to exchange. Please refer to "Parts vs Adjustment item table".

1-1. VCO Coil Adjustment - Adjustment of Tuning Voltage

Voltage Check Point : Vt-Check Land
(PWB Side B, around D506)

Adjustment Coil : L507 (VCO Coil)

The adjustment method : VCO coil is turned and adjusted according to the following tables.

TYPE	Mode	freq.	Voltage	Fig
E/M	AM	1611kHz	5.5 ± 0.1(V)	(C)
K	AM	1700kHz	5.8 ± 0.1(V)	(C)
J	FM	90.0MHz	5.6 ± 0.1(V)	(C)

M : AM Adjustment

For Your Information : The frequency of SET is only set up by Pre-Set-Key in case this adjustment

1-2. Adjustment of 1st & 2nd-MIX Coil

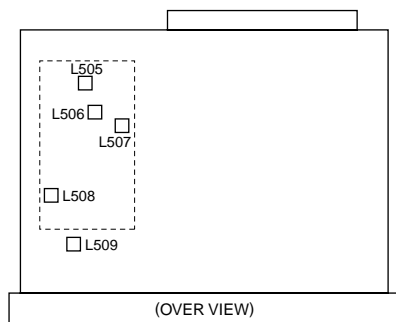
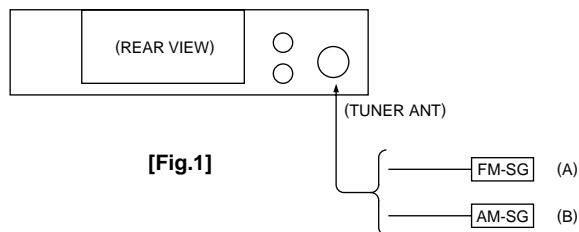
Voltage Check Point : S-METER-Check Land
(PWB Side B, around W572)

Adjustment Coil : 1st IFT = L508 / 2nd IFT = L509

Setting of Signal Generator : Refer to the following tables

TYPE	MODE	freq.	Mod.	ANT Input	Fig
K	AM	1000kHz	OFF	35dBuEMF	(B),(C)
E,M,J	AM	999kHz	OFF	35dBuEMF	(B),(C)

- ① The appearance and the coil with which S-METER DC voltage serves as the maximum are turned and adjusted in the above-mentioned SG input.
- ② By the above-mentioned adjustment method, same adjustment is performed to both sides (1st & 2nd MIX Coil).



[Fig.2]

1-3. Adjustment of FM_ANT&RF Coil

Voltage Check Point : S-METER-Check Land
(PWB Side B, around W572)

Adjustment Coil : ANT Coil = L505
RF Coil = L506

Setting of Signal Generator : Refer to the following tables.

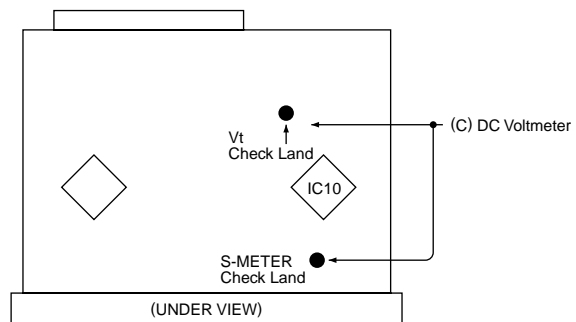
TYPE	MODE	freq.	Mod.	ANT Input	Fig
E/M	FM	87.5MHz	OFF	5 or 11dBuEMF	(A),(C)
K	FM	87.9MHz	OFF	5 or 11dBuEMF	(A),(C)
J	FM	76.0MHz	OFF	5 or 11dBuEMF	(A),(C)

- ① The appearance and the coil with which S-METER DC voltage serves as the maximum are turned and adjusted in the above-mentioned SG input.
- ② By the above-mentioned adjustment method, same adjustment is performed to both sides (ANT & RF Coil).

1-4. Adjustment of STEREO (adjustment of 456k-VCO)

Adjust in TEST MODE

- How to enter the test mode
While pressing on [FM] and [PRESET 6] keys, reset the unit.
- Adjustment method
Complete on condition that show "ALL OFF" when pressing on [PRESET 1] and [PRESET 6] keys.
(Writing adjustment valve to the EEPROM.)
Effect of adjustment is in cofirmation of adjustment status at [PRESET 4] key.
- Display of [PRESET 4]
Adjustment "OK" : 14seg model "E2P OK" 7seg model "EPO"
Adjustment "NG" : 14seg model "E2P ERR" 7seg model "EPE"
- Releasing the test mode
Reset mode only.
ACC off, Power off, Power down and Remove the panel mode is not releasing.



[Fig.3]

KDC-2027SA/SAY/SG/SGY, 3027A/AY/G/GY
 KDC-308A/AY/G/GY, 4027V/VY/Y, F327A/G
ADJUSTMENT

2. IC10 (TDA7513T) Replacement - Parts vs Adjustment Item Table

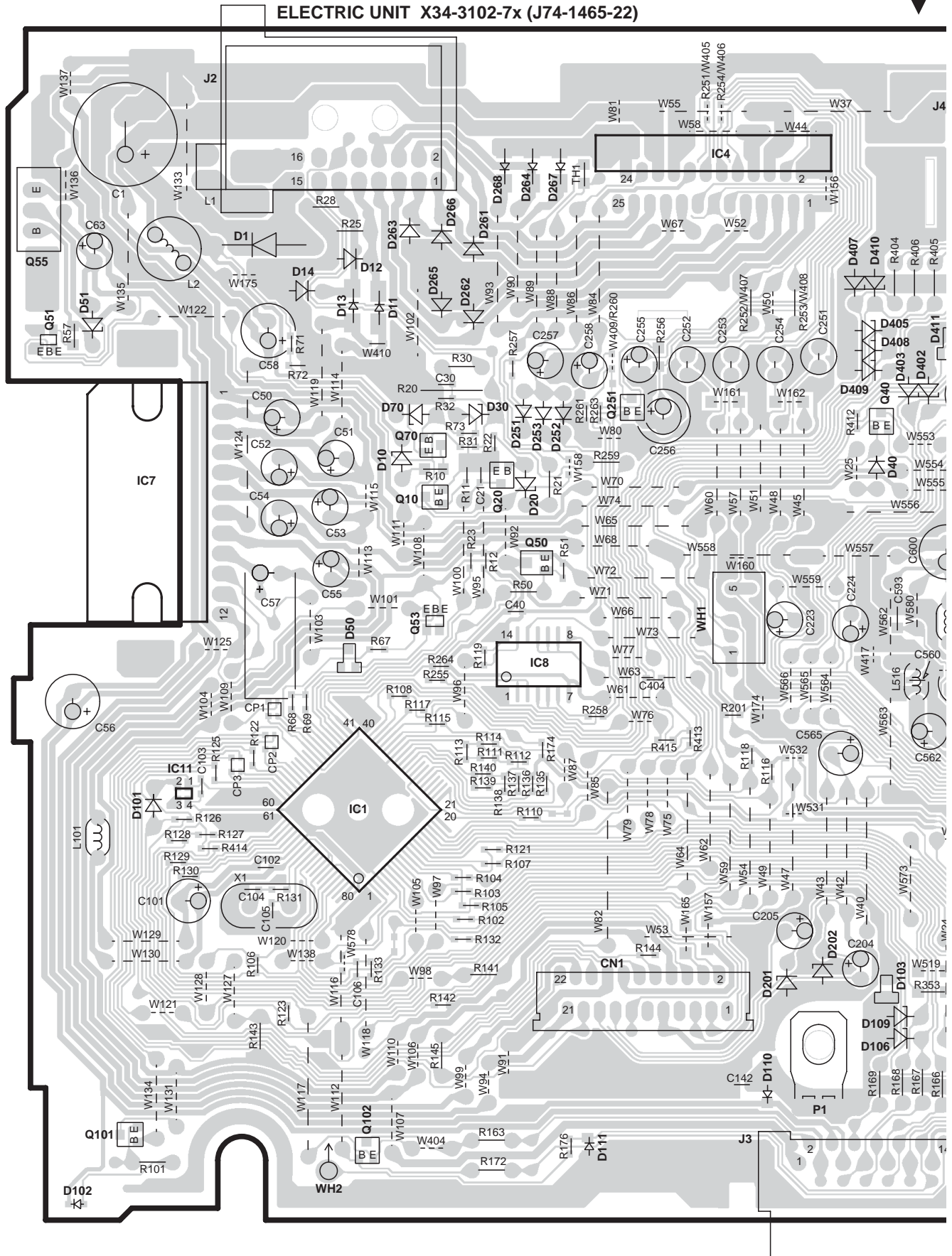
- When the parts in the following tables are exchanged, please readjust according to a table.
- When other parts are exchanged, please perform only a check of operation. There is no necessity for readjustment.

Replacement parts				Adjustment Item					
Parts Name	Ref Number	TYPE	Parts Number	VCOVt	1st MIX	2nd MIX	ANT Coil	RF Coil	Stereo
	IC10	ALL	TDA7513T	○	○	○	○	○	○
EEP-ROM			M24C01-WMN6T						
	IC12	ALL	BR24C01AF-W S-24CS02AFJ-TB	○	○	○	○	○	○
Antenna Coil	L505	J E,K,M	L31-0966-05 L31-0967-05				○		
RF Coil	L506	J E,K,M	L31-0969-05 L31-0970-05					○	
VCO Coil	L507	J E,K,M	L32-0932-05 L32-0936-05	○	○	○	○	○	
1st MIX Coil	L508	ALL	L30-0770-05		○				
2nd MIX Coil	L509	ALL	L30-0771-05			○			
Variable Capacitance Diodes	D504	ALL	KV1720S	○	○	○	○	○	
Variable Capacitance Diodes	D505	ALL	KV1720S	○	○	○	○	○	
Variable Capacitance Diodes	D506	ALL	KV1720S	○	○	○	○	○	
X'tal	X501	ALL	L77-2077-05						

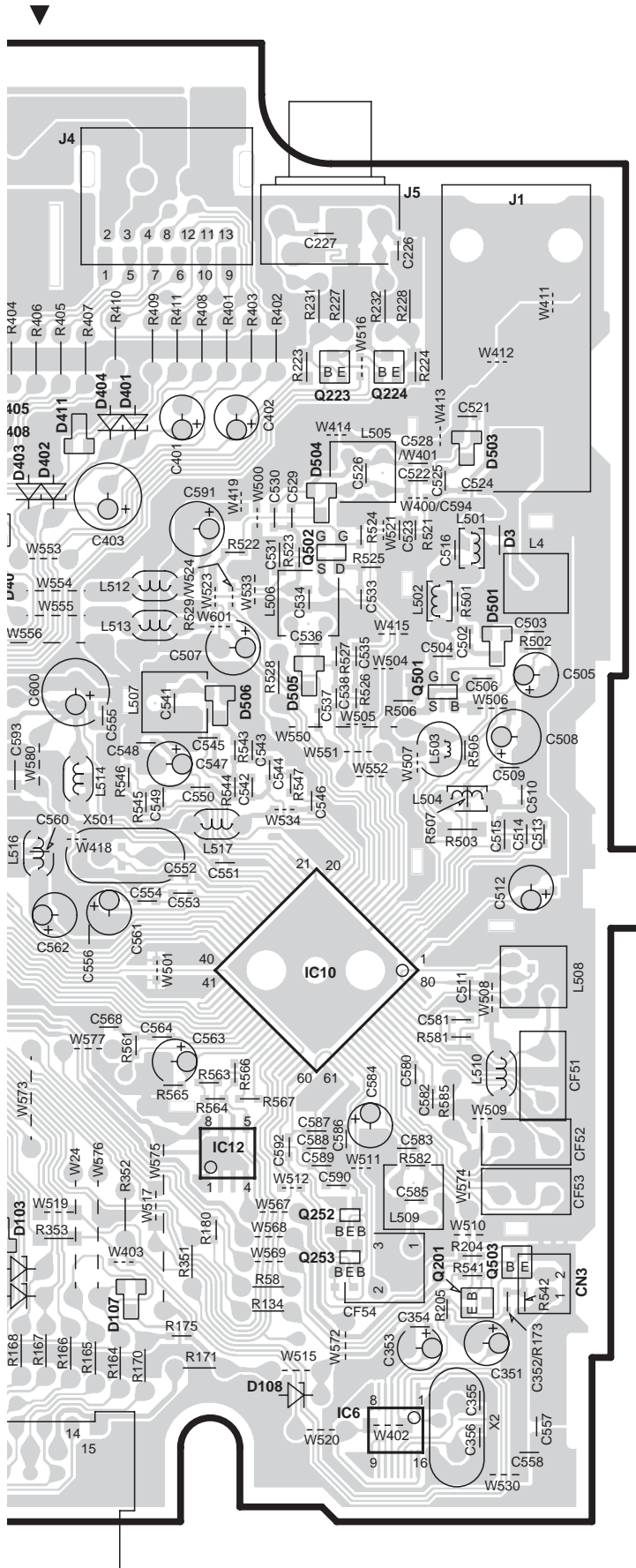
• The “○” mark shows that the adjustment is need.

PC BOARD (FOIL SIDE VIEW)

ELECTRIC UNIT X34-3102-7x (J74-1465-22)



KDC-2027SA/SAY/SG/SGY, 3027A/AY/G/GY
KDC-308A/AY/G/GY, 4027/V/VY/Y, F327A/G



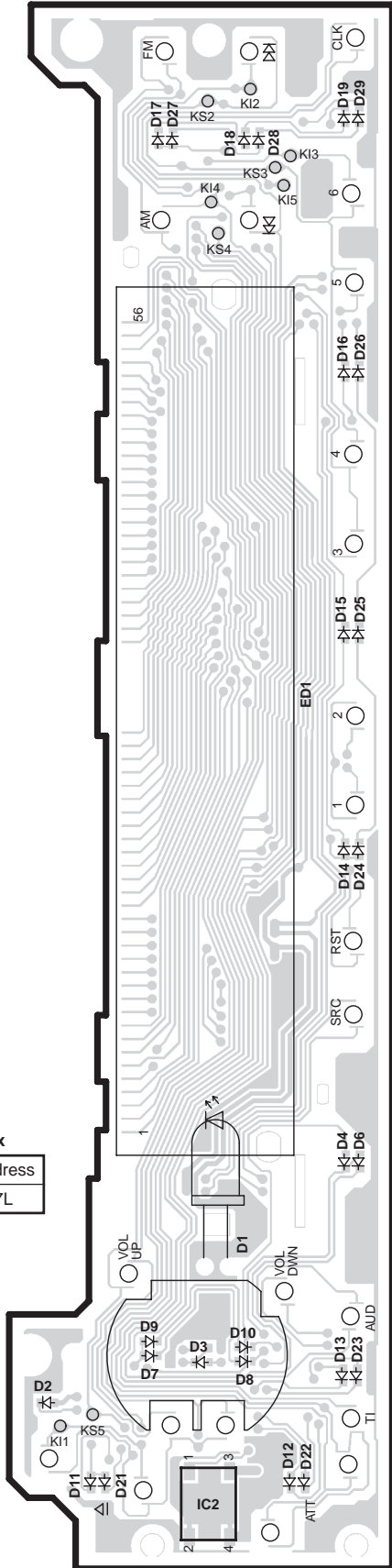
X34-3102-7x

IC	Q	Address
1		5C
4		2D
6		7G
7		3B
8		4D
10		5G
11		5B
12		6F
	10	4C
	20	4C
	40	3E
	50	4D
	51	3A
	55	2A
	70	3C
	101	7A
	102	6C
	201	6G
	223	3G
	224	3G
	251	3D
	252	6G
	253	6G
	501	4G
	502	3G
	503	6G

Refer to the schematic diagram for the values of resistors and capacitors.

PC BOARD (COMPONENT SIDE VIEW)

SWITCH UNIT
 X16-2462-7x (J74-1561-02)



X16-2462-7x

IC	Address
2	7L

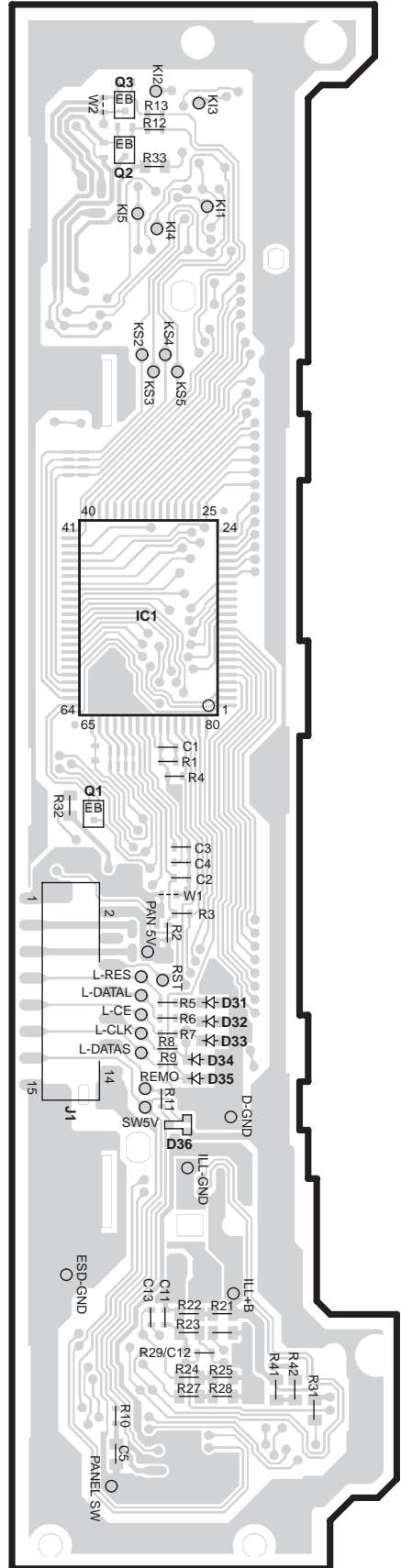
X16-2462-7x

IC	Q	Address
1		40
	1	4N
	2	2N
	3	2N

Refer to the schematic diagram for the values of resistors and capacitors.

(FOIL SIDE VIEW)

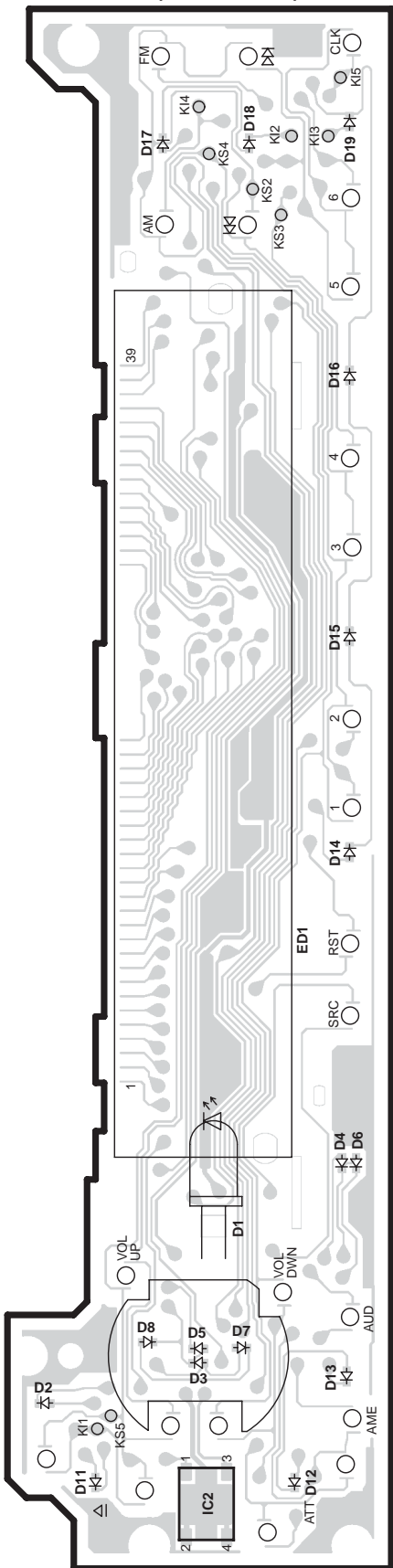
SWITCH UNIT
 X16-2462-7x (J74-1561-02)



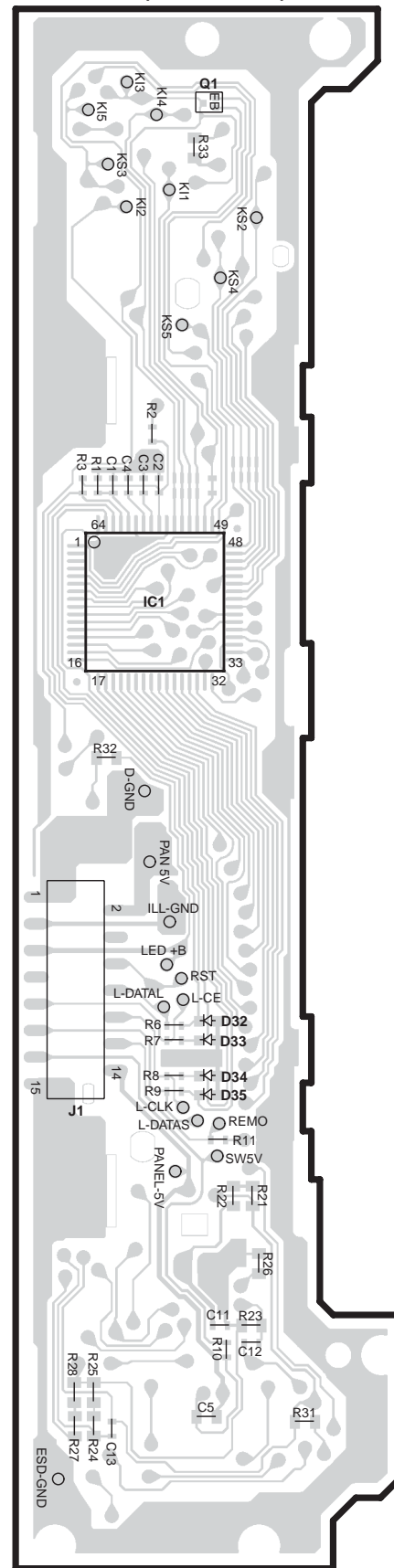
PC BOARD (COMPONENT SIDE VIEW)

(FOIL SIDE VIEW)

SWITCH UNIT
X16-2472-7x (J74-1563-902)



SWITCH UNIT
X16-2472-7x (J74-1563-902)



X16-2472-7x

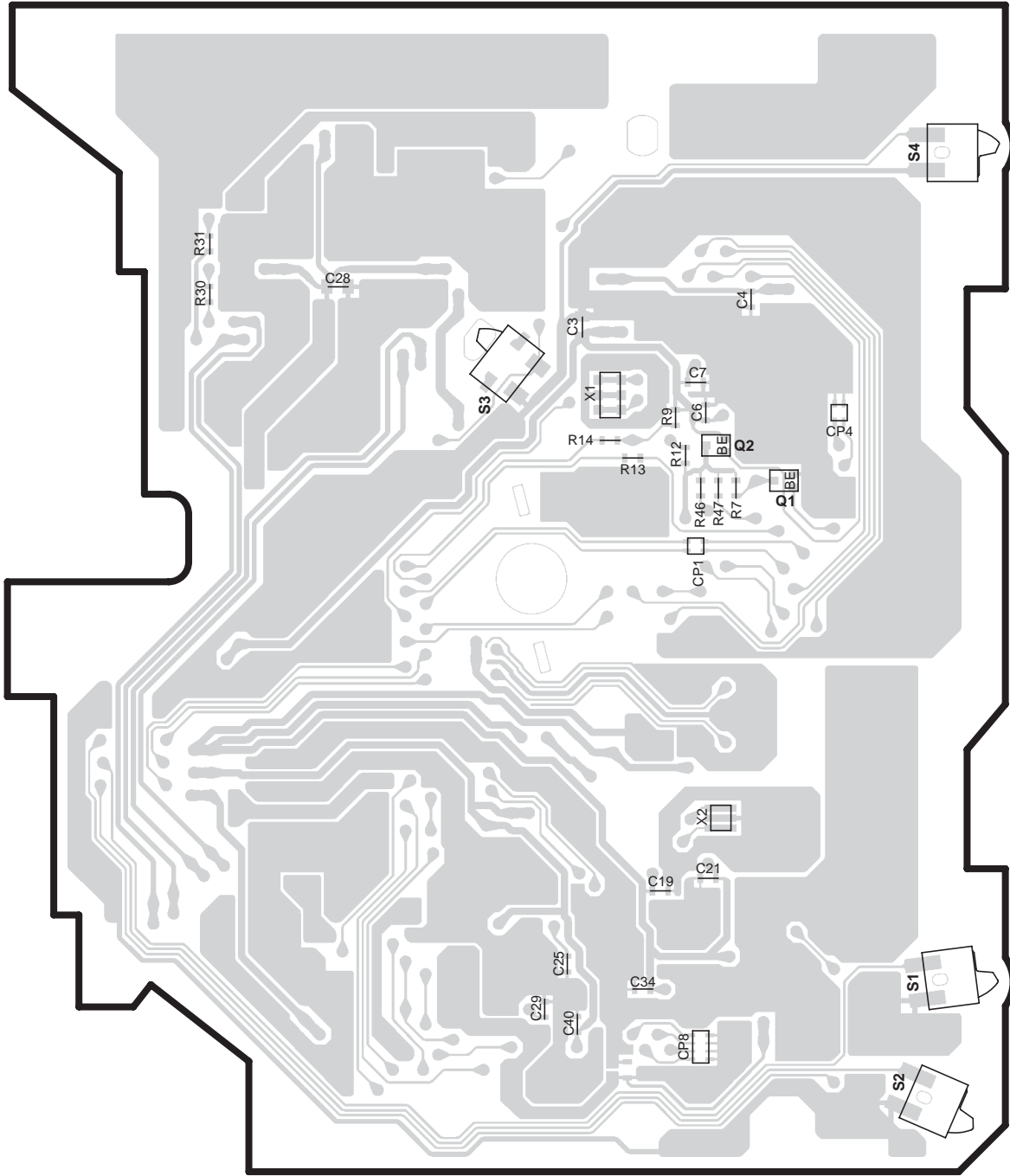
IC	Q	Address
1		4S
	1	2S

Refer to the schematic diagram for the values of resistors and capacitors.

KDC-2027SA/SAY/SG/SGY, 3027A/AY/G/GY
 KDC-308A/AY/G/GY, 4027V/VY/Y, F327A/G

PC BOARD (COMPONENT SIDE VIEW)

CD PLAYER UNIT X32-5490-00 (J74-1551-02)



X32-5490-00

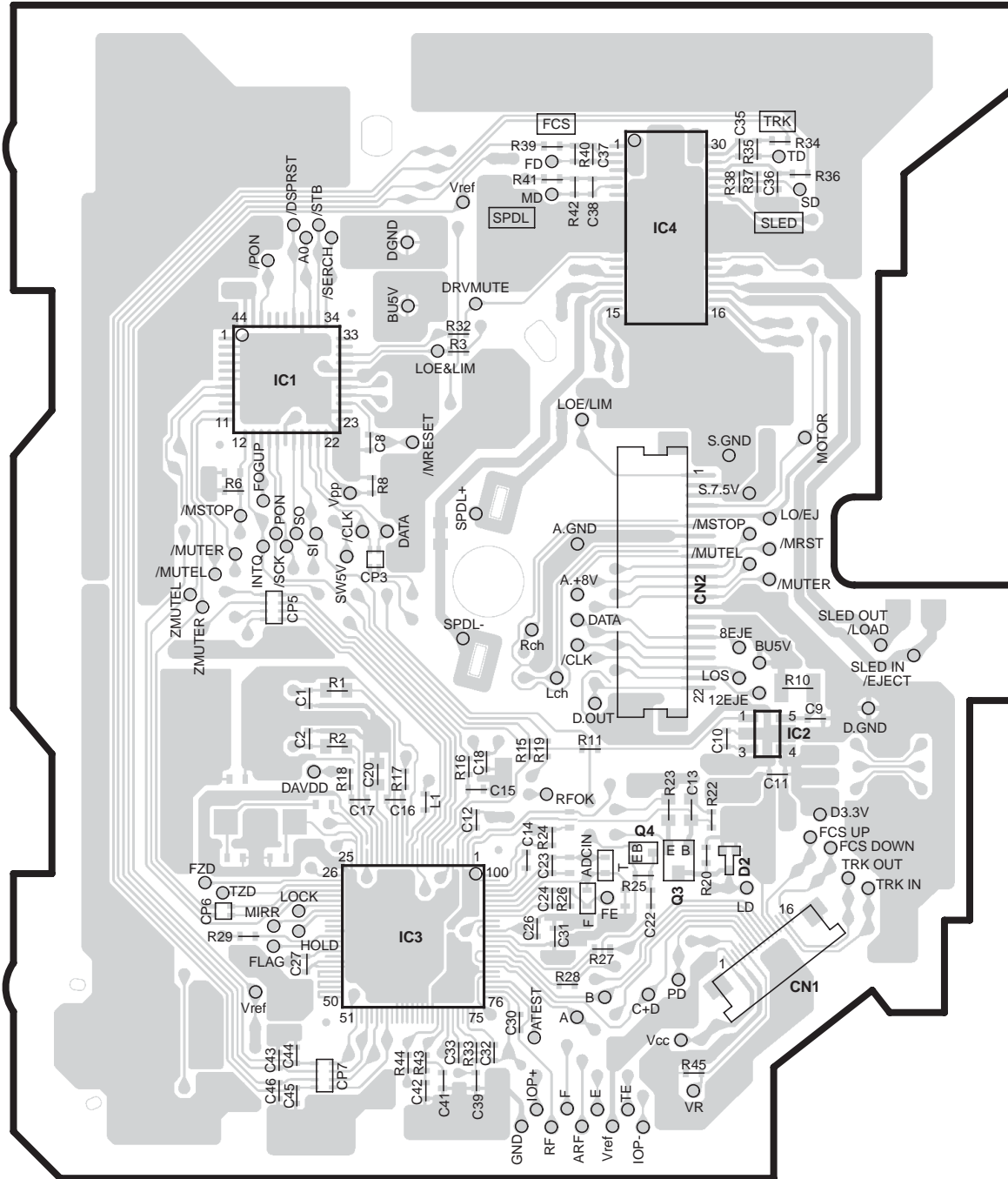
Q	Address
2	3X

Refer to the schematic diagram for the values of resistors and capacitors.

KDC-2027SA/SAY/SG/SGY, 3027A/AY/G/GY
KDC-308A/AY/G/GY, 4027/V/VY/Y, F327A/G

PC BOARD (FOIL SIDE VIEW)

CD PLAYER UNIT X32-5490-00 (J74-1551-02)

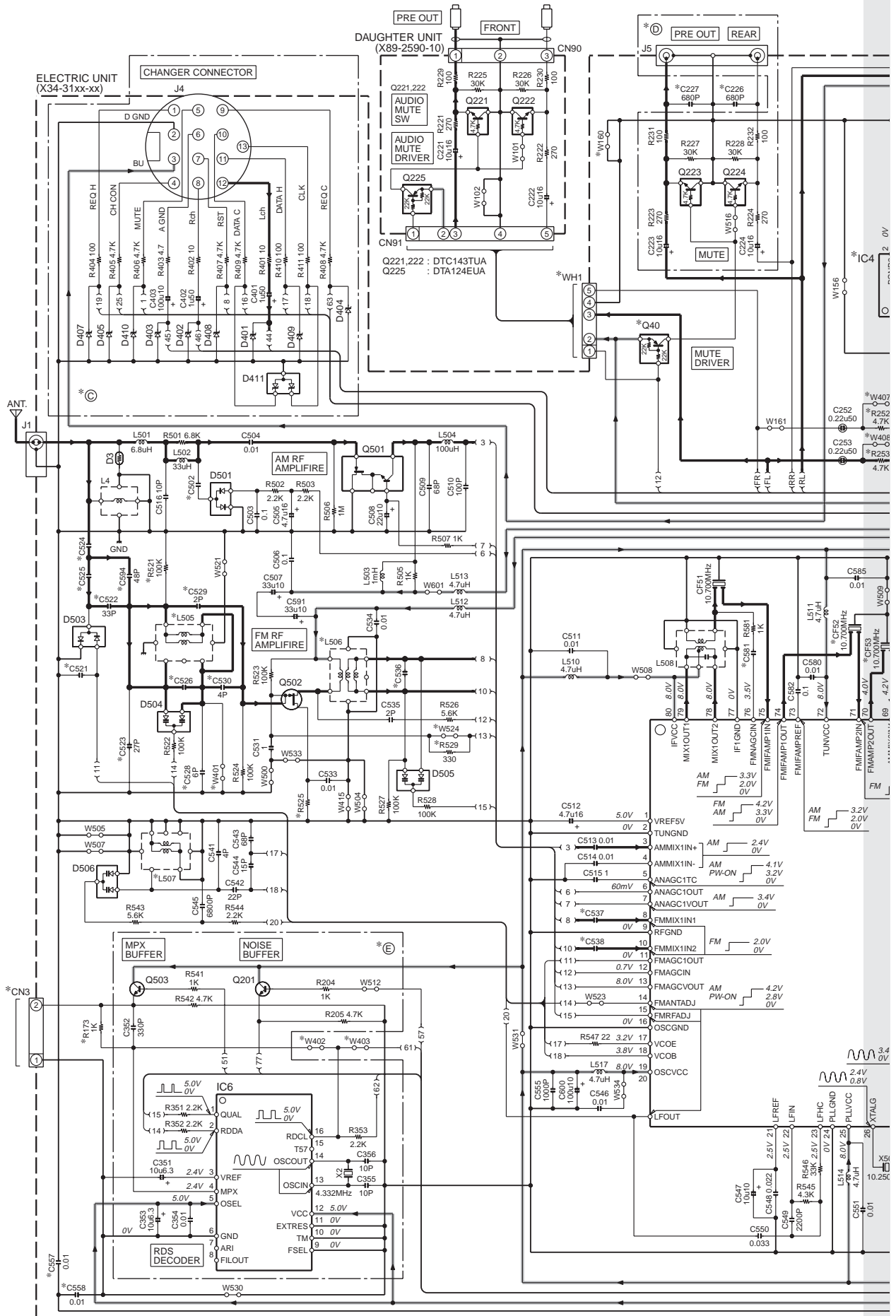


X32-5490-00

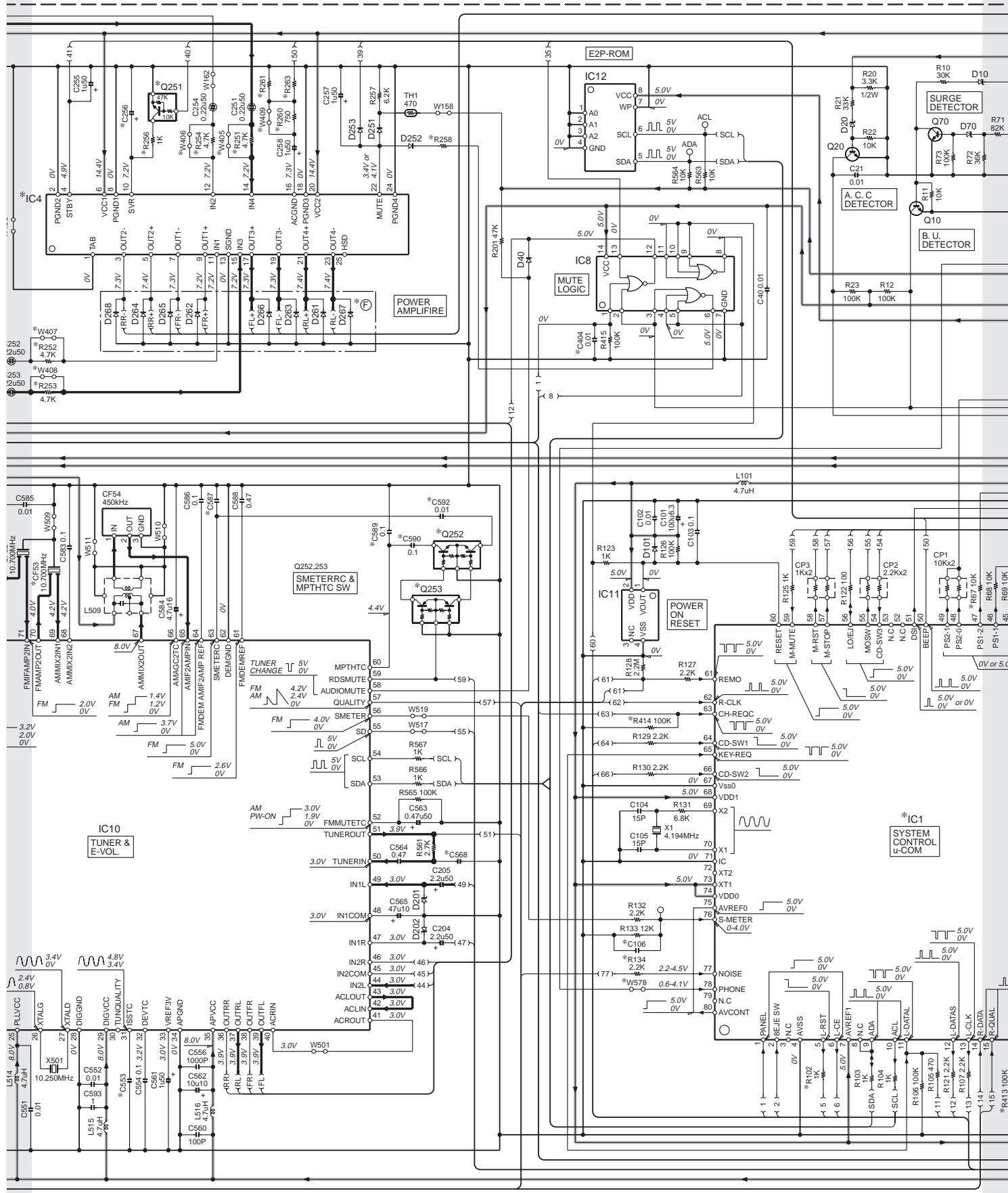
IC	Q	Address
1		3AA
2		4AC
3		5AA
4		2AB
	3	5AB
	4	5AB

Refer to the schematic diagram for the values of resistors and capacitors.

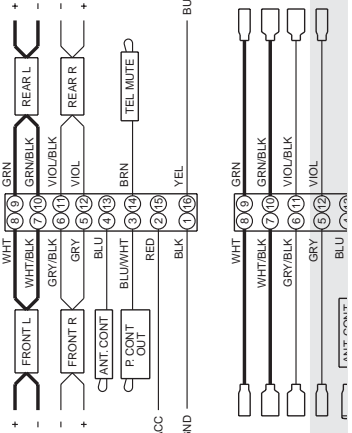
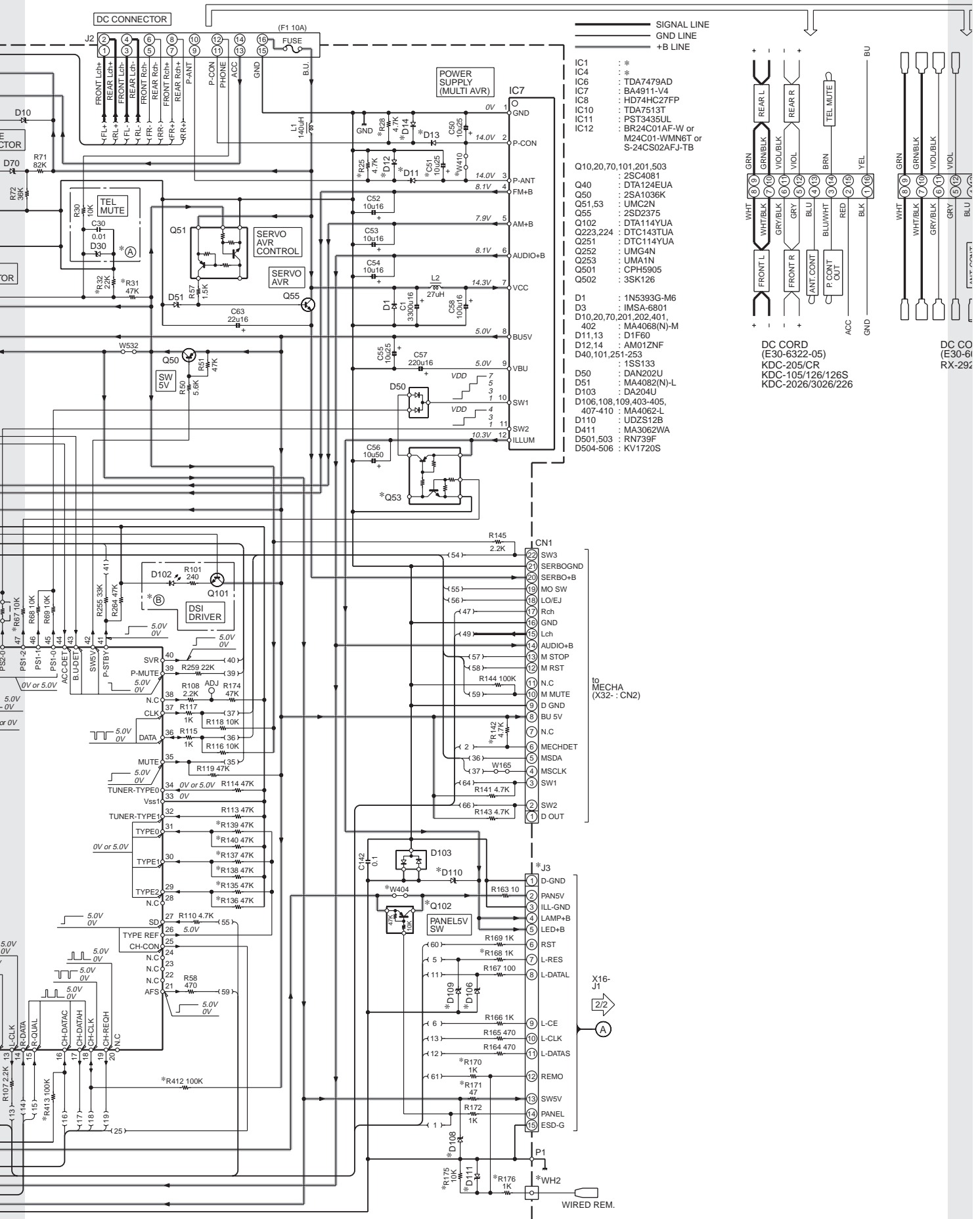
KDC-2027SA/SAY/SG/SGY, 3027A/AY/G/GY
 KDC-308A/AY/G/GY, 4027N/VY/Y, F327A/G



KDC-2027SA/SAY/SG/SGY, 3027A/AY/G/GY KDC-308A/AY/G/GY, 4027V/VY/Y, F327A/G

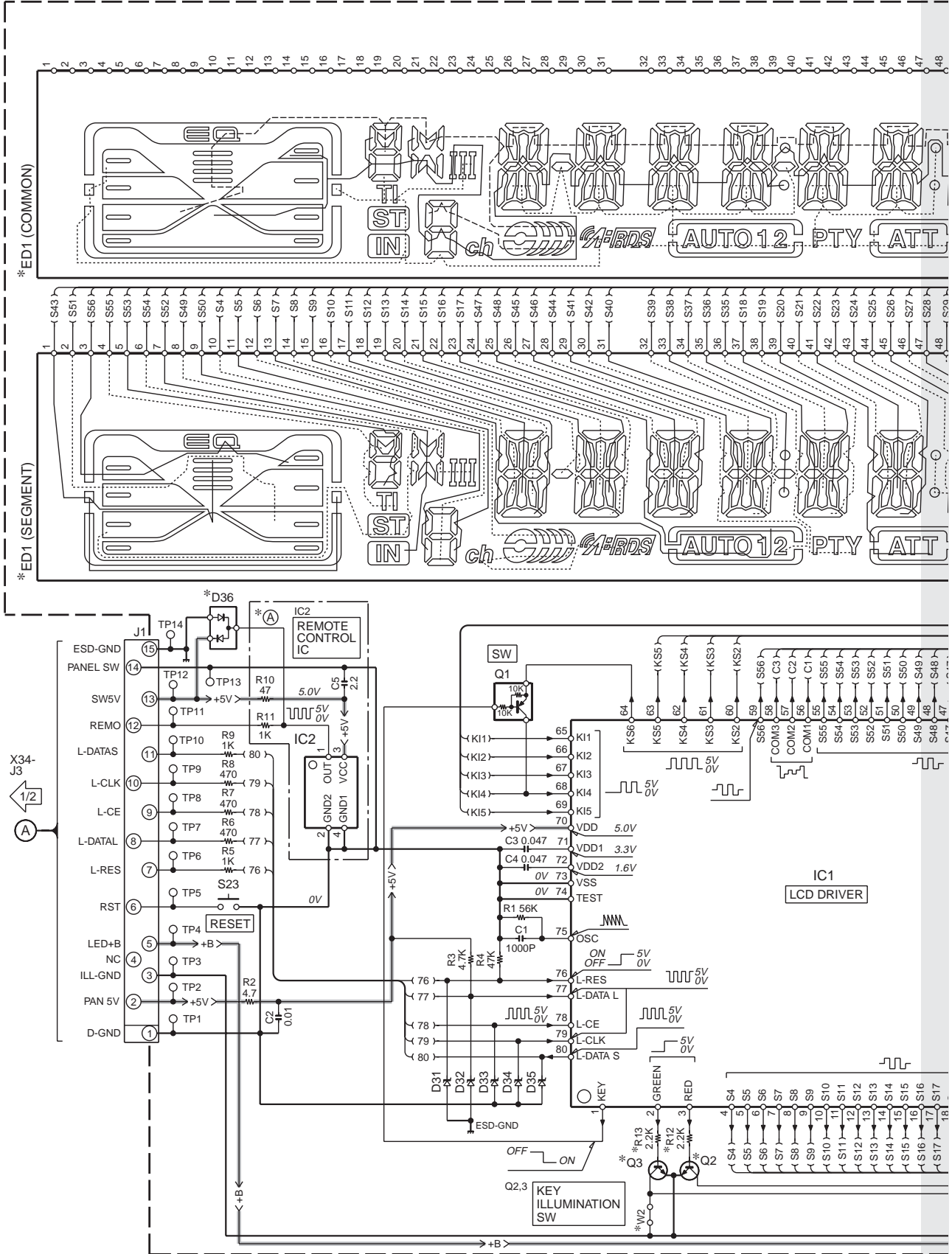


KDC-2027SA/SAY/SG/SGY, 3027A/AY/G/GY KDC-308A/AY/G/GY, 4027N/VY/Y, F327A/G



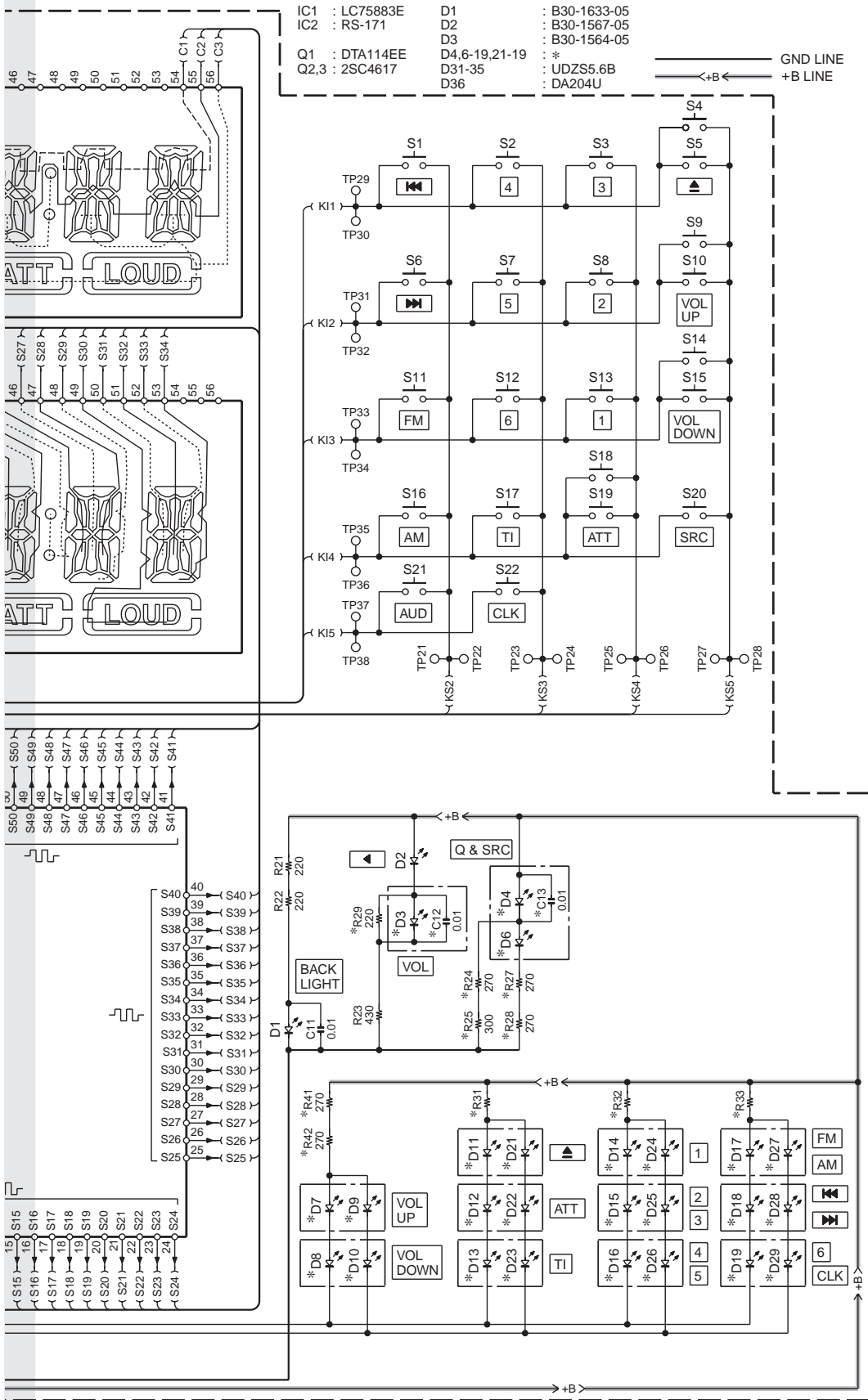
KDC-2027SA/SAY/SG/SGY, 3027A/AY/G/GY
 KDC-308A/AY/G/GY, 4027N/VY/Y, F327A/G

SWITCH UNIT (X16-246x-xx)



CAUTION : For continued safety, replace safety critical components only with manufacturer's recommended parts (refer to parts list).
 ⚠ Indicates safety critical components. To reduce the risk of electric shock, leakage-current or resistance measurements shall be carried out (exposed parts are acceptably insulated from the supply circuit) before the appliance is returned to the customer.

KDC-2027SA/SAY/SG/SGY, 3027A/AY/G/GY KDC-308A/AY/G/GY, 4027/V/VY/Y, F327A/G



- IC1 : LC75883E
- IC2 : RS-171
- Q1 : DTA114EE
- Q2,3 : 2SC4617
- D1 : B30-1633-05
- D2 : B30-1567-05
- D3 : B30-1564-05
- D4,6-19,21-19 : *
- D31-35 : UDZS5.6B
- D36 : DA204U

(X16-246x-xx)

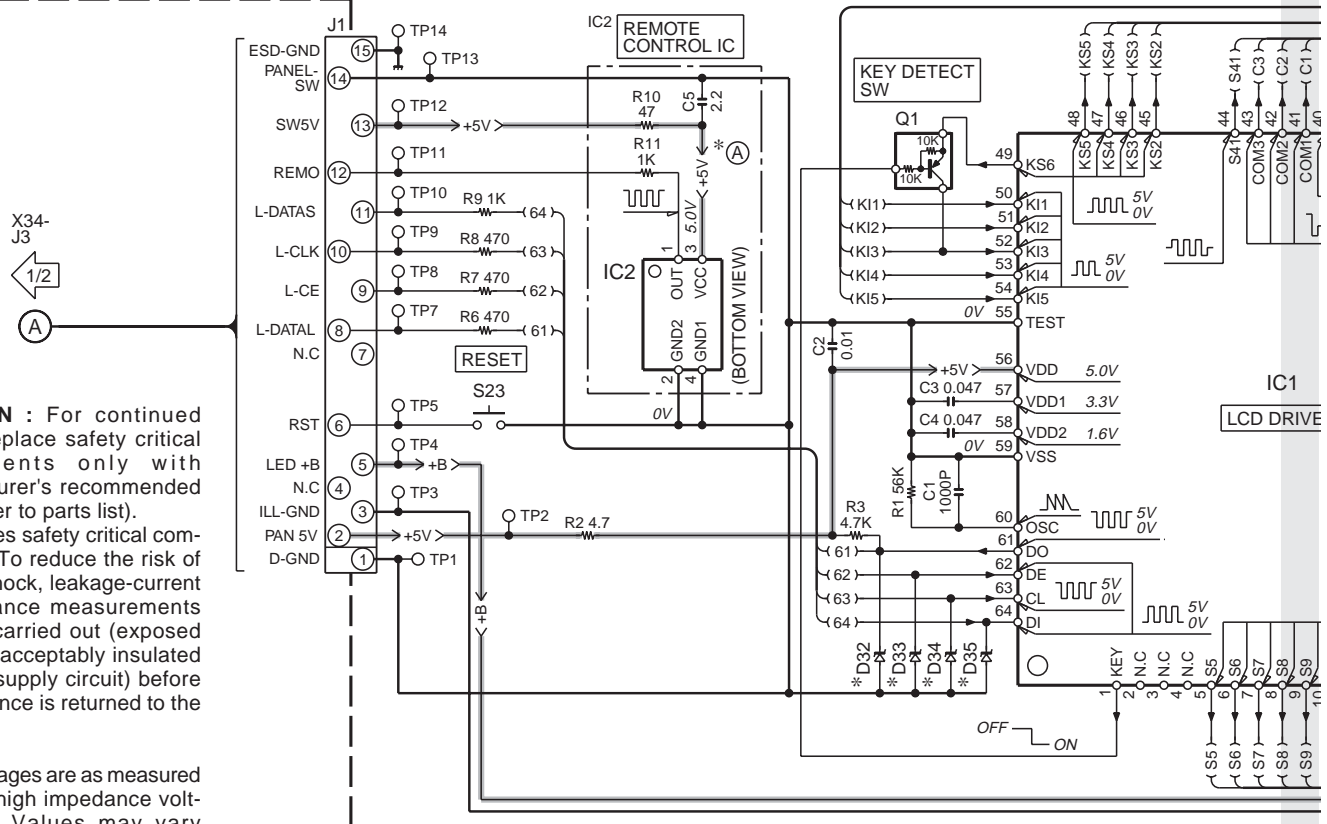
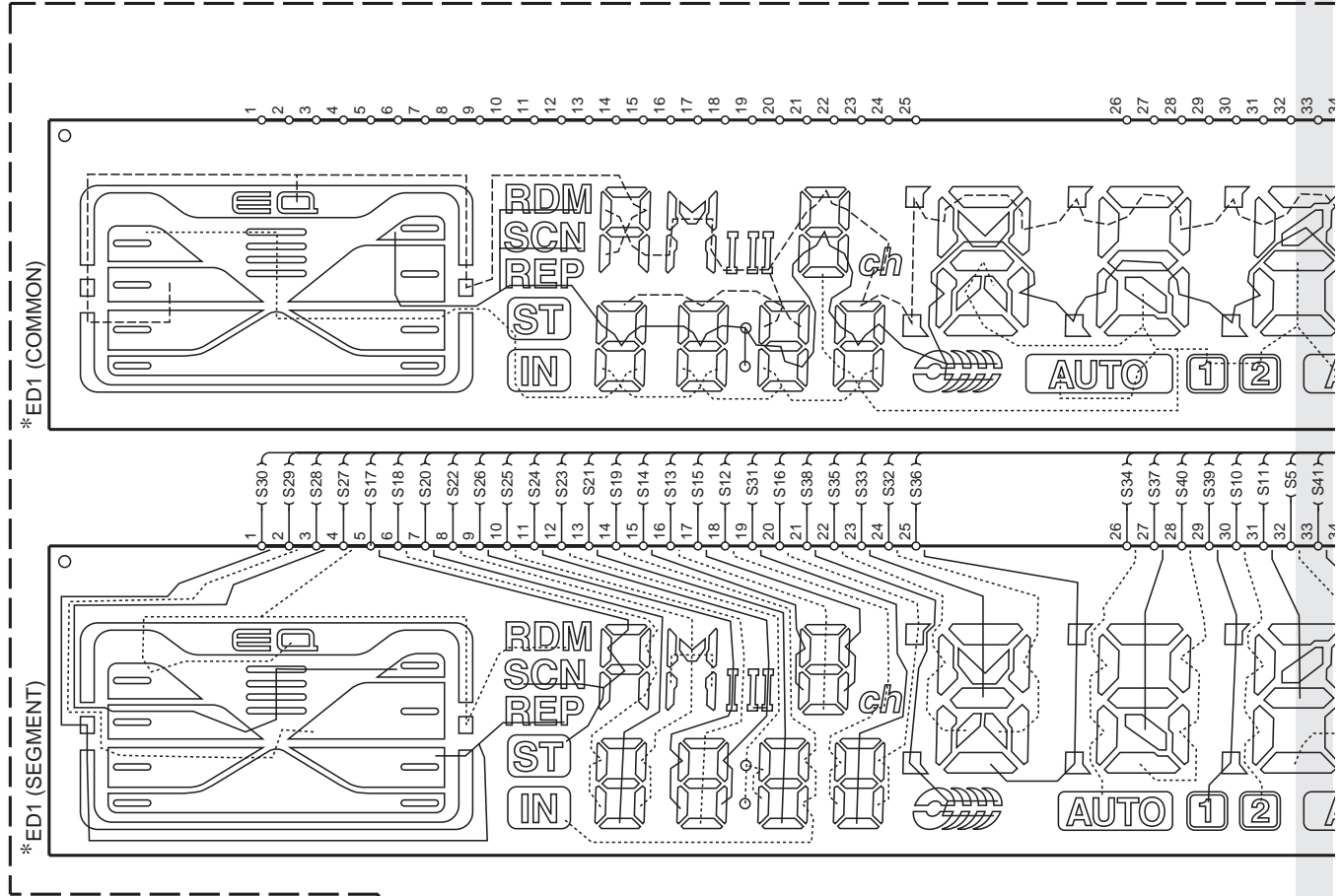
MODEL NAME	UNIT No.	(A)	C12	C13	D3	D4	D6	D7,8	D9,10	D11-19	D21-29	D36	ED1	Q2,3	R12,13, 24,25	R27, 28	R29, 41,42	R31- 33	W2
KDC-4027Y	2-70	YES	NO	YES	NO	B30-1564-05	NO	B30-1567-05	B30-1533-05	B30-1567-05	B30-1533-05	YES	B38-1144-05	YES	YES	NO	YES	330	NO
KDC-4027V/Y	2-71	YES	NO	YES	NO	B30-1564-05	NO	B30-1567-05	B30-1533-05	B30-1567-05	B30-1533-05	YES	B38-1137-05	YES	YES	NO	YES	330	NO
KDC-3028R	0-21	YES	YES	YES	YES	B30-1564-05	NO	NO	NO	B30-1567-05	B30-1533-05	NO	B38-1145-05	YES	YES	NO	YES	330	NO
KDC-3027A/AY	2-73	NO	NO	NO	NO	B30-1567-05	NO	B30-1567-05	B30-1533-05	NO	B30-1533-05	NO	B38-1144-05	NO	YES	YES	YES	390	YES
KDC-3027G/GY	2-75	NO	NO	NO	NO	B30-1687-05	NO	B30-1687-05	B30-1533-05	NO	B30-1533-05	NO	B38-1144-05	NO	NO	YES	YES	330	YES
KDC-308A/AY	2-72	NO	NO	NO	NO	B30-1567-05	NO	B30-1567-05	B30-1567-05	NO	B30-1567-05	NO	B38-1145-05	NO	NO	YES	YES	390	YES
KDC-308G/GY	2-74	NO	NO	NO	NO	B30-1687-05	NO	B30-1687-05	B30-1533-05	NO	B30-1533-05	NO	B38-1145-05	NO	NO	YES	YES	330	YES
KDC-F327A	2-76	NO	NO	NO	NO	B30-1567-05	NO	B30-1567-05	B30-1567-05	NO	B30-1567-05	NO	B38-1137-05	NO	NO	YES	YES	390	YES
KDC-F327G	2-77	NO	NO	NO	NO	B30-1687-05	NO	B30-1687-05	B30-1533-05	NO	B30-1533-05	NO	B38-1137-05	NO	NO	YES	YES	330	YES

KDC-4027 (2/2)

- DC voltages are as measured with a high impedance voltmeter. Values may vary slightly due to variations between individual instruments or/and units.

KDC-2027SA/SAY/SG/SGY, 3027A/AY/G/GY KDC-308A/AY/G/GY, 4027N/VY/Y, F327A/G

SWITCH UNIT (X16-247x-xx)

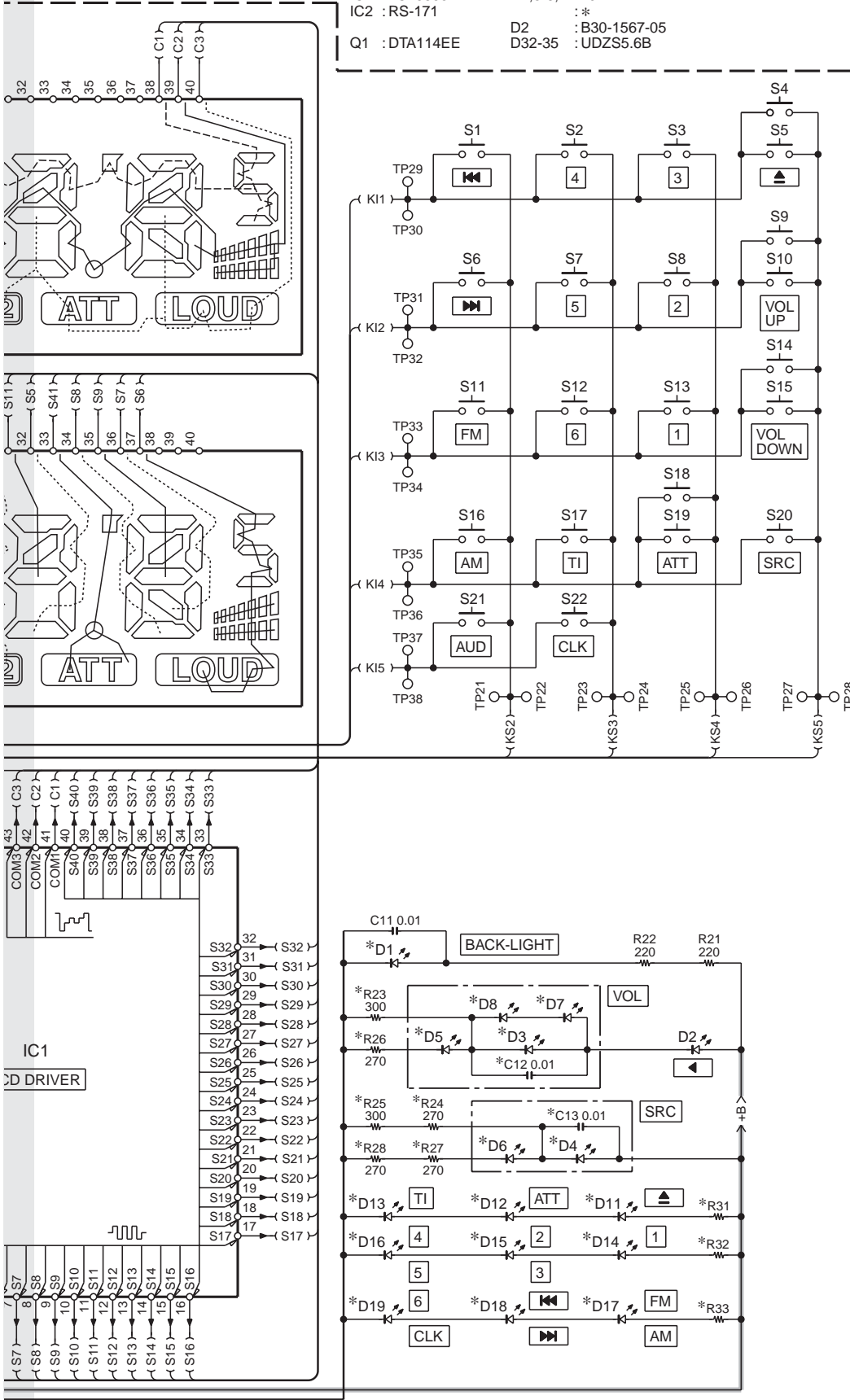


CAUTION : For continued safety, replace safety critical components only with manufacturer's recommended parts (refer to parts list).
 ⚠ Indicates safety critical components. To reduce the risk of electric shock, leakage-current or resistance measurements shall be carried out (exposed parts are acceptably insulated from the supply circuit) before the appliance is returned to the customer.

- DC voltages are as measured with a high impedance voltmeter. Values may vary slightly due to variations between individual instruments or/and units.

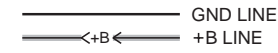
KDC-2027SA/SAY/SG/SGY, 3027A/AY/G/GY KDC-308A/AY/G/GY, 4027V/VY/Y, F327A/G

IC1 : LC75853NE D1,3-8,11-19 ED1 : *
 IC2 : RS-171 : *
 Q1 : DTA114EE D2 : B30-1567-05
 D32-35 : UDZS5.6B



MODEL NAME	UNIT No.	(A)	C12, 13	D1	D3	D4	D5	D6	D7,8	D11-19	D32-35	ED1	R23	R24, 25	R27, 28	R31-33	
KDC-2025V	0-11	YES	YES	B30-1633-05	B30-1564+05	B30-1564-05	NO	NO	NO	B30-1567-05	YES	B38-1139-05	430	YES	NO	NO	390
KDC-3026	0-21	YES	NO	B30-1633-05	B30-1567-05	B30-1567-05	NO	B30-1687-05	NO	B30-1567-05	YES	B38-1138-05	NO	NO	NO	NO	390
KDC-2027SA/SAY	0-22	YES	YES	B30-1633-05	B30-1687-05	B30-1687-05	NO	B30-1687-05	NO	B30-1533-05	YES	B38-1140-05	NO	NO	NO	NO	330
KDC-2027SG/SGY	2-72	NO	NO	B30-1633-05	NO	B30-1687-05	NO	B30-1687-05	NO	B30-1567-05	YES	B38-1140-05	360	NO	NO	NO	390
KDC-205	0-13	NO	YES	B30-1633-05	B30-1564+05	B30-1564-05	NO	NO	NO	B30-1533-05	YES	B38-1140-05	360	NO	NO	NO	330
RX-292CD	0-01	YES	YES	B30-1633-05	B30-1690-05	B30-1690-05	NO	B30-1690-05	NO	B30-1567-05	YES	B38-1138-05	430	YES	NO	NO	390
KDC-105	0-10	NO	NO	B30-1633-05	B30-1567-05	B30-1567-05	NO	B30-1687-05	NO	B30-1567-05	NO	B38-1140-05	NO	NO	NO	NO	390
KDC-126/S	0-23	NO	NO	B30-1633-05	B30-1687-05	B30-1687-05	NO	B30-1687-05	NO	B30-1533-05	YES	B38-1140-05	NO	NO	NO	NO	390

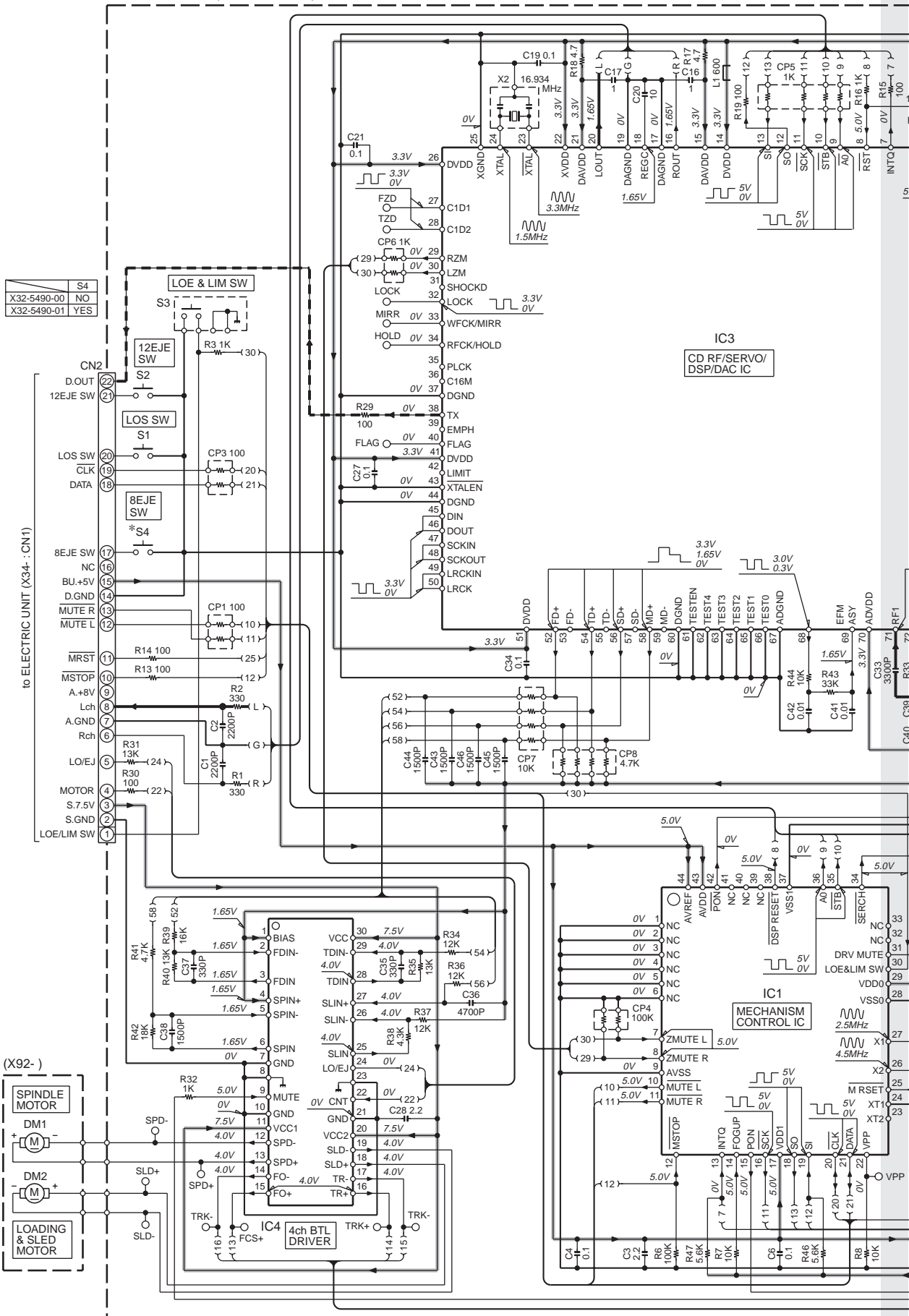
(X16-247x-xx)



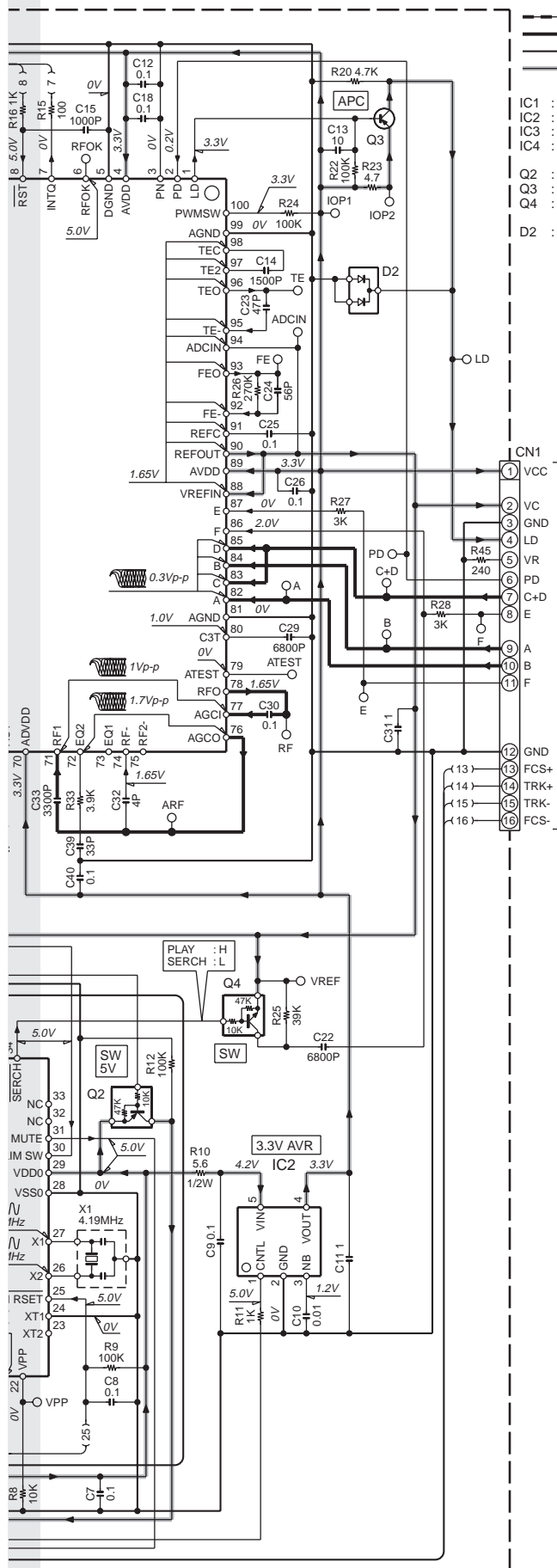
KDC-4027 (2/2)

KDC-2027SA/SAY/SG/SGY, 3027A/AY/G/GY KDC-308A/AY/G/GY, 4027N/VY/Y, F327A/G

CD PLAYER UNIT (X32-5490-00/01)



KDC-2027SA/SAY/SG/SGY, 3027A/AY/G/GY KDC-308A/AY/G/GY, 4027V/VY/Y, F327A/G



--- DIGITAL LINE
 — AUDIO LINE
 — GND LINE
 — +B LINE

IC1 : 789166YGB-A513
 IC2 : NJM2880U133
 IC3 : uPD63712GC
 IC4 : BA5824FP

Q2 : DTA114YUAF
 Q3 : 2SB0970
 Q4 : DTC114YUAF

D2 : DAN202U

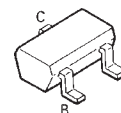
DTA114EE
 DTC114YUA
 DTC143TUA
 2SA1036K
 2SC4617

DAN202U

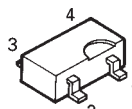


DA204U
 DTA114YUA

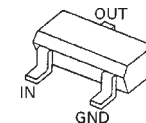
2SC4081



3SK126

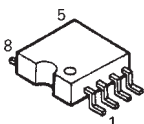
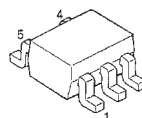


DTA124EUA



BR24C01AF-W

UMC2N

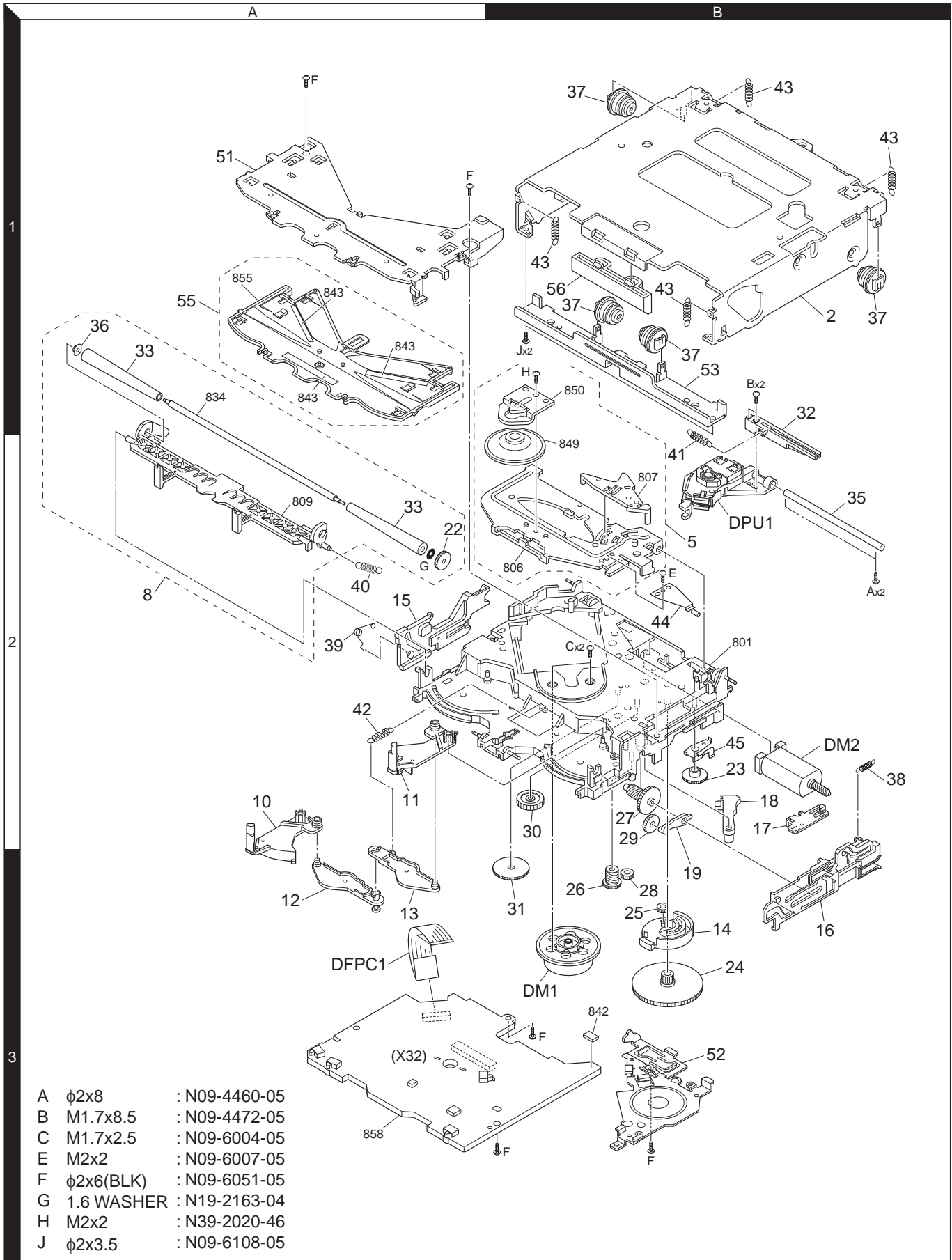


CAUTION : For continued safety, replace safety critical components only with manufacturer's recommended parts (refer to parts list).
 ⚠ Indicates safety critical components. To reduce the risk of electric shock, leakage-current or resistance measurements shall be carried out (exposed parts are acceptably insulated from the supply circuit) before the appliance is returned to the customer.

• DC voltages are as measured with a high impedance voltmeter. Values may vary slightly due to variations between individual instruments or/and units.

KDC-2027SA/SAY/SG/SGY, 3027A/AY/G/GY
 KDC-308A/AY/G/GY, 4027N/VY/Y, F327A/G

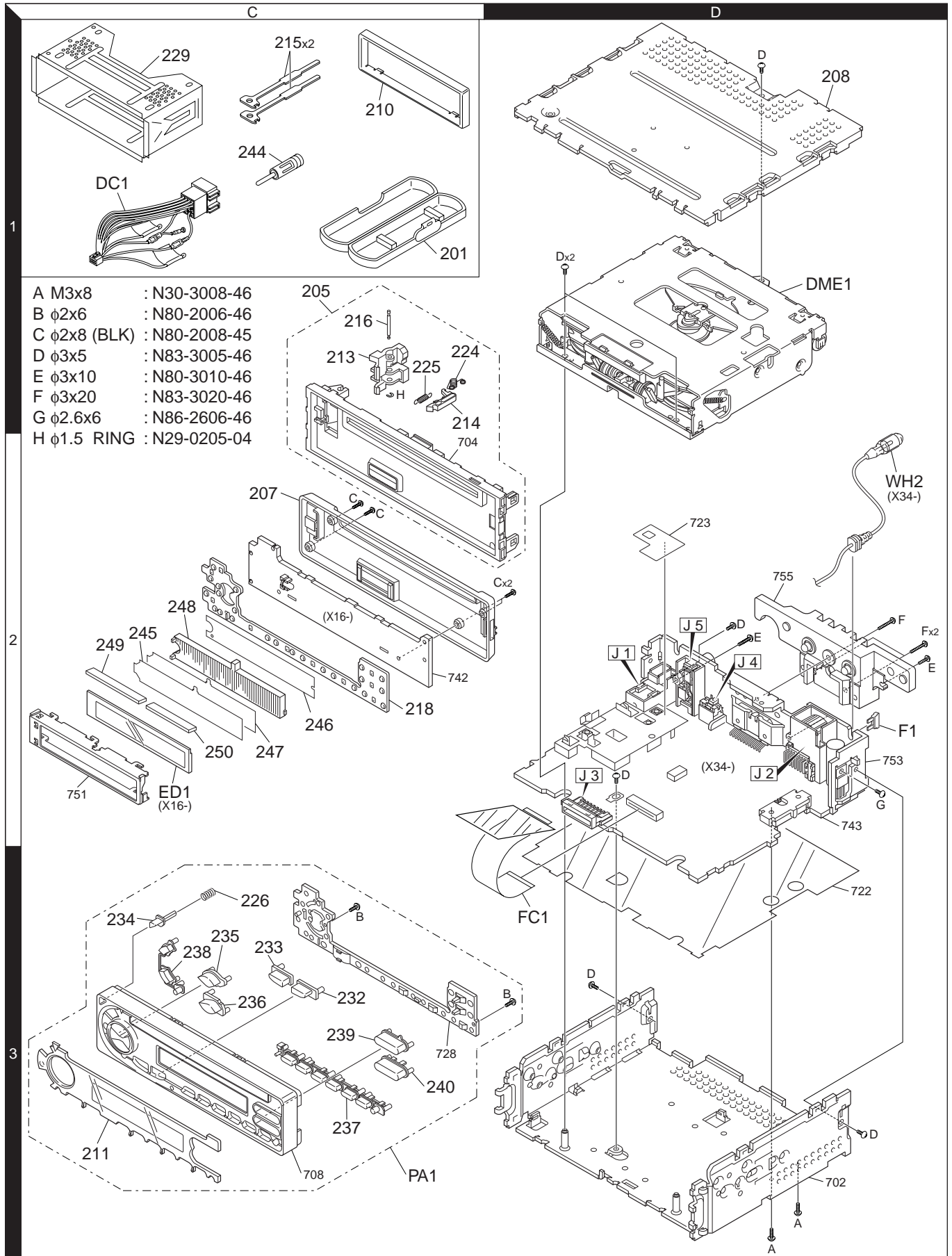
EXPLODED VIEW (CD MECHANISM)



A	φ2x8	: N09-4460-05
B	M1.7x8.5	: N09-4472-05
C	M1.7x2.5	: N09-6004-05
E	M2x2	: N09-6007-05
F	φ2x6(BLK)	: N09-6051-05
G	1.6 WASHER	: N19-2163-04
H	M2x2	: N39-2020-46
J	φ2x3.5	: N09-6108-05

KDC-2027SA/SAY/SG/SGY, 3027A/AY/G/GY KDC-308A/AY/G/GY, 4027/V/VY/Y, F327A/G

EXPLODED VIEW (UNIT)



Parts with the exploded numbers larger than 700 are not supplied.

KDC-2027SA/SAY/SG/SGY, 3027A/AY/G/GY KDC-308A/AY/G/GY, 4027N/VY/Y, F327A/G

PARTS LIST

* New parts

Parts without **Parts No.** are not supplied.

Les articles non mentionnés dans le **Parts No.** ne sont pas fournis.

Teile ohne **Parts No.** werden nicht geliefert.

Ref. No.	A d d	N e w	Parts No.	Description	Desti- nation	Ref. No.	A d d	N e w	Parts No.	Description	Desti- nation
KDC-2027SA/SAY/SG/SGY, KDC-3027A/AY/G/GY, KDC-308A/AY/G/GY, KDC-4027N/VY/Y, KDC-F327A/G						211	3C	*	B10-4462-01	FRONT GLASS	E6E7Z6
201	1C		A02-1486-13	PLASTIC CABINET ASSY		211	3C	*	B10-4462-01	FRONT GLASS	Z7
205	2C		A22-2863-03	SUB PANEL ASSY		211	3C	*	B10-4463-01	FRONT GLASS	E8E9
207	2C	*	A46-1796-01	REAR COVER		213	1C		D10-4446-03	LEVER	
208	1D		A52-0804-02	TOP PLATE		214	1C		D10-4447-03	LEVER	
PA1	3C	*	A64-3165-02	PANEL ASSY	EE1ZZ1	215	1C		D10-4589-04	LEVER	
PA1	3C	*	A64-3166-02	PANEL ASSY	E2E3Z2	216	1C		D21-2329-04	SHAFT	
PA1	3C	*	A64-3166-02	PANEL ASSY	Z3	218	2C	*	E29-1964-02	CONDUCTIVE RUBBER	
PA1	3C	*	A64-3167-02	PANEL ASSY	E4E5Z4	DC1	1C	*	E30-6132-15	DC CORD	
PA1	3C	*	A64-3167-02	PANEL ASSY	Z5	DC1	1C	*	E30-6286-05	DC CORD	
PA1	3C	*	A64-3168-02	PANEL ASSY	E6E7Z6	FC1	2D		E39-0476-05	FLAT CABLE (22PIN)	
PA1	3C	*	A64-3168-02	PANEL ASSY	Z7	F1	2D		F52-0006-05	FUSE (MINI BLADE TYPE 10A)	
PA1	3C	*	A64-3169-02	PANEL ASSY	E8E9	F1	2D	*	F52-0023-05	FUSE (MINI BLADE TYPE 10A)	
-			B46-0100-50	WARRANTY CARD	EE1E2	224	1C		G01-2987-04	TORSION COIL SPRING	
-			B46-0100-50	WARRANTY CARD	E3E4E5	225	1C		G01-3096-04	EXTENSION SPRING	
-			B46-0100-50	WARRANTY CARD	E6E7E8	226	3C		G01-3149-04	COMPRESSION SPRING	
-			B46-0100-50	WARRANTY CARD	E9	-			H10-4856-12	POLYSTYRENE FOAMED FIXTURE	
-			B46-0182-14	ID CARD	EE1E2	-			H25-0329-04	PROTECTION BAG (280X450X0.03)	ZZ1Z2
-			B46-0182-14	ID CARD	E3E4E5	-			H25-0329-04	PROTECTION BAG (280X450X0.03)	Z3Z4Z5
-			B46-0182-14	ID CARD	E6E7E8	-			H25-0329-04	PROTECTION BAG (280X450X0.03)	Z6Z7
-			B46-0182-14	ID CARD	E9	-			H25-0337-04	PROTECTION BAG (180X300X0.03)	
-			B46-0606-04	ID CARD	ZZ1Z2	-			H25-1111-04	PROTECTION BAG (280X450X0.03)	EE1E2
-			B46-0606-04	ID CARD	Z3Z4Z5	-			H25-1111-04	PROTECTION BAG (280X450X0.03)	E3E4E5
-			B46-0606-04	ID CARD	Z6Z7	-			H25-1111-04	PROTECTION BAG (280X450X0.03)	E6E7E8
-			B58-1365-04	CAUTION CARD		-			H25-1111-04	PROTECTION BAG (280X450X0.03)	E9
-	*		B64-2673-00	INST. MANUAL (ENGLISH)	EE1E2	-	*		H54-2971-03	ITEM CARTON CASE	E
-	*		B64-2673-00	INST. MANUAL (ENGLISH)	E3E4E5	-	*		H54-2972-03	ITEM CARTON CASE	E1
-	*		B64-2673-00	INST. MANUAL (ENGLISH)	ZZ1Z2	-	*		H54-2973-03	ITEM CARTON CASE	E2
-	*		B64-2673-00	INST. MANUAL (ENGLISH)	Z3Z4Z5	-	*		H54-2974-03	ITEM CARTON CASE	E3
-	*		B64-2674-00	INST. MANUAL (FRENCH)	EE1E2	-	*		H54-2975-03	ITEM CARTON CASE	E4
-	*		B64-2674-00	INST. MANUAL (FRENCH)	E3E4E5	-	*		H54-2976-03	ITEM CARTON CASE	E5
-	*		B64-2674-00	INST. MANUAL (FRENCH)	E8E9	-	*		H54-2977-03	ITEM CARTON CASE	E6
-	*		B64-2675-00	INST. MANUAL (GER,DUT)	EE1E2	-	*		H54-2978-03	ITEM CARTON CASE	E7
-	*		B64-2675-00	INST. MANUAL (GER,DUT)	E3E4E5	-	*		H54-2979-03	ITEM CARTON CASE	E8
-	*		B64-2676-00	INST. MANUAL (ITA,SPA,POR)	EE1E2	-	*		H54-2980-03	ITEM CARTON CASE	E9
-	*		B64-2676-00	INST. MANUAL (ITA,SPA,POR)	E3E4E5	-	*		H54-2981-03	ITEM CARTON CASE	Z
-	*		B64-2678-00	INST. MANUAL (HUN,CRO,SLO)	ZZ1Z2	-	*		H54-2982-03	ITEM CARTON CASE	Z1
-	*		B64-2678-00	INST. MANUAL (HUN,CRO,SLO)	Z3Z4Z5	-	*		H54-2983-03	ITEM CARTON CASE	Z2
-	*		B64-2679-00	INST. MANUAL (SWE,FIN)	ZZ1Z2	-	*		H54-2984-03	ITEM CARTON CASE	Z3
-	*		B64-2679-00	INST. MANUAL (SWE,FIN)	Z3Z4Z5	-	*		H54-2985-03	ITEM CARTON CASE	Z4
-	*		B64-2722-00	INST. MANUAL (ENG,FRE,GER,DUT,ITA,SPA,POR)	E6E7	-	*		H54-2986-03	ITEM CARTON CASE	Z5
-	*		B64-2725-00	INST. MANUAL (ENG,RUS,POL,CZE,HUN)	Z6Z7	-	*		H54-2987-03	ITEM CARTON CASE	Z6
-	*		B64-2727-00	INST. MANUAL (CRO,SWE,FIN,SLO)	Z6Z7	-	*		H54-2988-03	ITEM CARTON CASE	Z7
-	*		B64-2728-00	INST. MANUAL (RUS,POL,CZE)	ZZ1Z2	229	1C		J21-9716-03	MOUNTING HARDWARE ASSY	
-	*		B64-2728-00	INST. MANUAL (RUS,POL,CZE)	Z3Z4Z5	232	3C	*	K24-4098-04	KNOB (SRC)	
210	1C		B07-3001-02	ESCUTCHEON		233	3C	*	K24-4099-04	KNOB (Q-AUDIO)	
211	3C	*	B10-4459-01	FRONT GLASS	EE1ZZ1	234	3C	*	K24-4101-04	KNOB (RELEASE)	
211	3C	*	B10-4460-01	FRONT GLASS	E2E3Z2	235	3C	*	K24-4124-04	KNOB (VOL.UP)	
211	3C	*	B10-4460-01	FRONT GLASS	Z3	236	3C	*	K24-4125-04	KNOB (VOL.DOWN)	
211	3C	*	B10-4461-01	FRONT GLASS	E4E5Z4	237	3C	*	K25-1589-03	KNOB (PRESET1-6)	
211	3C	*	B10-4461-01	FRONT GLASS	Z5	238	3C	*	K25-1590-03	KNOB (EJECT/ATT)	
						239	3C	*	K25-1613-03	KNOB (FM/AM)	

(Destination E & Z for EUROPE)

E : KDC-4027
E3 : KDC-3027G **E4** : KDC-308A **E5** : KDC-308G
E8 : KDC-F327A **E9** : KDC-F327G **Z** : KDC-4027Y
Z3 : KDC-3027GY **Z4** : KDC-308AY **Z5** : KDC-308GY

E1 : KDC-4027V **E2** : KDC-3027A
E6 : KDC-2027SA **E7** : KDC-2027SG
Z1 : KDC-4027VY **Z2** : KDC-3027AY
Z6 : KDC-2027SAY **Z7** : KDC-2027SGY

△ Indicates safety critical components.

KDC-2027SA/SAY/SG/SGY, 3027A/AY/G/GY KDC-308A/AY/G/GY, 4027/V/VY/Y, F327A/G

PARTS LIST

* New parts

Parts without **Parts No.** are not supplied.

Les articles non mentionnés dans le **Parts No.** ne sont pas fournis.

Teile ohne **Parts No.** werden nicht geliefert.

KDC-2027SA/SAY/SG/SGY, KDC-3027A/AY/G/GY,
KDC-308A/AY/G/GY, KDC-4027/V/VY/Y, KDC-F327A/G

Ref. No.	Ad	New	Parts No.	Description	Destination	Ref. No.	Ad	New	Parts No.	Description	Destination
240	3C	*	K25-1614-03	KNOB (SEEK)		D21-29			B30-1533-05	LED (1608,PG)	Z1Z3Z5
A	3D		N30-3008-46	PAN HEAD MACHINE SCREW		D21-29			B30-1567-05	LED (1608,RED)	E2E4E8
B	3C		N80-2006-46	PAN HEAD TAPTITE SCREW		D21-29			B30-1567-05	LED (1608,RED)	Z2Z4
C	2C		N80-2008-45	PAN HEAD TAPTITE SCREW		ED1		*	B38-1137-05	LIQUID CRYSTAL	E1E8E9
D	3D		N83-3005-46	PAN HEAD TAPTITE SCREW		ED1		*	B38-1137-05	LIQUID CRYSTAL	Z1
H	1C		N29-0205-04	RETAINING RING		ED1		*	B38-1144-05	LIQUID CRYSTAL	EE2E3Z
244	1C		T90-0523-05	ANTENNA ADAPTOR		ED1		*	B38-1144-05	LIQUID CRYSTAL	Z2Z3
DME1	1D	*	X92-4840-00	MECHANISM ASSY (DXM-6200W)		ED1		*	B38-1145-05	LIQUID CRYSTAL	E4E5Z4
SWITCH UNIT (X16-2462-7x)						ED1		*	B38-1145-05	LIQUID CRYSTAL	Z5
245	2C	*	B11-1435-04	OPTICAL DIFFUSER	EE2E3Z	C1			CK73GB1H102K	CHIP C 1000PF K	EE1E2
245	2C	*	B11-1435-04	OPTICAL DIFFUSER	Z2Z3	C1			CK73GB1H102K	CHIP C 1000PF K	E3E4E5
245	2C	*	B11-1436-04	OPTICAL DIFFUSER	E1E4E5	C1			CK73GB1H102K	CHIP C 1000PF K	E8E9Z
245	2C	*	B11-1436-04	OPTICAL DIFFUSER	E8E9Z1	C1			CK73GB1H102K	CHIP C 1000PF K	Z1Z2Z3
245	2C	*	B11-1436-04	OPTICAL DIFFUSER	Z4Z5	C1			CK73GB1H102K	CHIP C 1000PF K	Z4Z5
246	2C	*	B11-1437-04	REFLECTION SHEET	EE1E2	C2			CK73GB1H103K	CHIP C 0.010UF K	EE1E2
246	2C	*	B11-1437-04	REFLECTION SHEET	E3E4E5	C2			CK73GB1H103K	CHIP C 0.010UF K	E3E4E5
246	2C	*	B11-1437-04	REFLECTION SHEET	E8E9Z	C2			CK73GB1H103K	CHIP C 0.010UF K	E8E9Z
246	2C	*	B11-1437-04	REFLECTION SHEET	Z1Z2Z3	C2			CK73GB1H103K	CHIP C 0.010UF K	Z1Z2Z3
246	2C	*	B11-1437-04	REFLECTION SHEET	Z4Z5	C2			CK73GB1H103K	CHIP C 0.010UF K	Z4Z5
247	2C	*	B11-1438-04	COLOR FILTER	E1Z1	C3,4			CK73GB1E473K	CHIP C 0.047UF K	EE1E2
248	2C	*	B19-2242-03	LIGHTING BOARD	EE1E2	C3,4			CK73GB1E473K	CHIP C 0.047UF K	E3E4E5
248	2C	*	B19-2242-03	LIGHTING BOARD	E3E4E5	C3,4			CK73GB1E473K	CHIP C 0.047UF K	E8E9Z
248	2C	*	B19-2242-03	LIGHTING BOARD	E8E9Z	C3,4			CK73GB1E473K	CHIP C 0.047UF K	Z1Z2Z3
248	2C	*	B19-2242-03	LIGHTING BOARD	Z1Z2Z3	C3,4			CK73GB1E473K	CHIP C 0.047UF K	Z4Z5
248	2C		B19-2242-03	LIGHTING BOARD	Z4Z5	C5			CK73FB1A225K	CHIP C 2.2UF K	EE1Z1
D1	2C		B30-1633-05	LED (WHITE)	EE1E2	C11			CK73GB1H103K	CHIP C 0.010UF K	EE1E2
D1	2C		B30-1633-05	LED (WHITE)	E3E4E5	C11			CK73GB1H103K	CHIP C 0.010UF K	E3E4E5
D1	2C		B30-1633-05	LED (WHITE)	E8E9Z	C11			CK73GB1H103K	CHIP C 0.010UF K	E8E9Z
D1	2C		B30-1633-05	LED (WHITE)	Z1Z2Z3	C11			CK73GB1H103K	CHIP C 0.010UF K	Z1Z2Z3
D1	2C		B30-1633-05	LED (WHITE)	Z4Z5	C11			CK73GB1H103K	CHIP C 0.010UF K	Z4Z5
D2	2C		B30-1567-05	LED (1608,RED)	EE1E2	C13			CK73GB1H103K	CHIP C 0.010UF K	EE1Z1
D2	2C		B30-1567-05	LED (1608,RED)	E3E4E5	249	2C	*	E29-1965-04	CONDUCTIVE RUBBER	EE1E2
D2	2C		B30-1567-05	LED (1608,RED)	E8E9Z	249	2C	*	E29-1965-04	CONDUCTIVE RUBBER	E3E4E5
D2	2C		B30-1567-05	LED (1608,RED)	Z1Z2Z3	249	2C	*	E29-1965-04	CONDUCTIVE RUBBER	E8E9Z
D2	2C		B30-1567-05	LED (1608,RED)	Z4Z5	249	2C	*	E29-1965-04	CONDUCTIVE RUBBER	Z1Z2Z3
D4	2C		B30-1564-05	LED (1608,BLUE)	EE1Z1	249	2C	*	E29-1965-04	CONDUCTIVE RUBBER	Z4Z5
D4	2C		B30-1567-05	LED (1608,RED)	E2E4E8	250	2C	*	E29-1966-04	CONDUCTIVE RUBBER	EE1E2
D4	2C		B30-1567-05	LED (1608,RED)	Z2Z4	250	2C	*	E29-1966-04	CONDUCTIVE RUBBER	E3E4E5
D4	2C	*	B30-1687-05	LED (1608, GRN)	E3E5E9	250	2C	*	E29-1966-04	CONDUCTIVE RUBBER	E8E9Z
D4	2C	*	B30-1687-05	LED (1608, GRN)	Z3Z5	250	2C	*	E29-1966-04	CONDUCTIVE RUBBER	Z1Z2Z3
D6	2C		B30-1567-05	LED (1608,RED)	E2E4E8	250	2C	*	E29-1966-04	CONDUCTIVE RUBBER	Z4Z5
D6	2C		B30-1567-05	LED (1608,RED)	Z2Z4	J1			E59-0828-05	RECTANGULAR PLUG (15PIN)	EE1E2
D6	2C	*	B30-1687-05	LED (1608, GRN)	E3E5E9	J1			E59-0828-05	RECTANGULAR PLUG (15PIN)	E3E4E5
D6	2C	*	B30-1687-05	LED (1608, GRN)	Z3Z5	J1			E59-0828-05	RECTANGULAR PLUG (15PIN)	E8E9Z
D7,8	2C		B30-1567-05	LED (1608,RED)	EE1Z1	J1			E59-0828-05	RECTANGULAR PLUG (15PIN)	Z1Z2Z3
D9,10	2C		B30-1533-05	LED (1608,PG)	EE1E3	J1			E59-0828-05	RECTANGULAR PLUG (15PIN)	Z4Z5
D9,10	2C		B30-1533-05	LED (1608,PG)	E5E9Z	R1			RK73GB2A563J	CHIP R 56K J 1/10W	EE1E2
D9,10	2C		B30-1533-05	LED (1608,PG)	Z1Z3Z5	R1			RK73GB2A563J	CHIP R 56K J 1/10W	E3E4E5
D9,10	2C		B30-1567-05	LED (1608,RED)	E2E4E8	R1			RK73GB2A563J	CHIP R 56K J 1/10W	E8E9Z
D9,10	2C		B30-1567-05	LED (1608,RED)	E2E4E8	R1			RK73GB2A563J	CHIP R 56K J 1/10W	Z1Z2Z3
D9,10	2C		B30-1567-05	LED (1608,RED)	Z2Z4	R1			RK73GB2A563J	CHIP R 56K J 1/10W	Z4Z5
D11-19	2C		B30-1567-05	LED (1608,RED)	EE1Z1	R2			RK73GB2A4R7J	CHIP R 4.7 J 1/10W	EE1E2
D21-29	2C		B30-1533-05	LED (1608,PG)	EE1E3	R2			RK73GB2A4R7J	CHIP R 4.7 J 1/10W	E3E4E5
D21-29	2C		B30-1533-05	LED (1608,PG)	E5E9Z	R2			RK73GB2A4R7J	CHIP R 4.7 J 1/10W	E8E9Z

(Destination E & Z for EUROPE)

E3 : KDC-3027G **E4** : KDC-308A **E5** : KDC-308G
E8 : KDC-F327A **E9** : KDC-F327G
Z3 : KDC-3027GY **Z4** : KDC-308AY

E : KDC-4027 **E1** : KDC-4027V **E2** : KDC-3027A
E6 : KDC-2027SA **E7** : KDC-2027SG
Z : KDC-4027Y **Z1** : KDC-4027VY **Z2** : KDC-3027AY
Z5 : KDC-308GY **Z6** : KDC-2027SAY **Z7** : KDC-2027SGY

△ Indicates safety critical components.

KDC-2027SA/SAY/SG/SGY, 3027A/AY/G/GY KDC-308A/AY/G/GY, 4027N/VY/Y, F327A/G

PARTS LIST

* New parts

Parts without **Parts No.** are not supplied.

Les articles non mentionnés dans le **Parts No.** ne sont pas fournis.

Teile ohne **Parts No.** werden nicht geliefert.

SWITCH UNIT (X16-2462-7x)

Ref. No.	A d	N e w	Parts No.	Description	Desti- nation	Ref. No.	A d	N e w	Parts No.	Description	Desti- nation
R2			RK73GB2A4R7J	CHIP R 4.7 J 1/10W	Z1Z2Z3	R31-33			RK73FB2B391J	CHIP R 390 J 1/8W	Z2Z4
R2			RK73GB2A4R7J	CHIP R 4.7 J 1/10W	Z4Z5	R41,42			RK73FB2B271J	CHIP R 270 J 1/8W	EE1E2
R3			RK73GB2A472J	CHIP R 4.7K J 1/10W	EE1E2	R41,42			RK73FB2B271J	CHIP R 270 J 1/8W	E3E4E5
R3			RK73GB2A472J	CHIP R 4.7K J 1/10W	E3E4E5	R41,42			RK73FB2B271J	CHIP R 270 J 1/8W	E8E9Z
R3			RK73GB2A472J	CHIP R 4.7K J 1/10W	E8E9Z	R41,42			RK73FB2B271J	CHIP R 270 J 1/8W	Z1Z2Z3
R3			RK73GB2A472J	CHIP R 4.7K J 1/10W	Z1Z2Z3	R41,42			RK73FB2B271J	CHIP R 270 J 1/8W	Z4Z5
R3			RK73GB2A472J	CHIP R 4.7K J 1/10W	Z4Z5	W1			R92-1252-05	CHIP R 0 OHM J 1/16W	EE1ZZ1
R4			RK73GB2A473J	CHIP R 47K J 1/10W	EE1E2	W1,2			R92-1252-05	CHIP R 0 OHM J 1/16W	E2E3E4
R4			RK73GB2A473J	CHIP R 47K J 1/10W	E3E4E5	W1,2			R92-1252-05	CHIP R 0 OHM J 1/16W	E5E8E9
R4			RK73GB2A473J	CHIP R 47K J 1/10W	E8E9Z	W1,2			R92-1252-05	CHIP R 0 OHM J 1/16W	Z2Z3Z4
R4			RK73GB2A473J	CHIP R 47K J 1/10W	Z1Z2Z3	W1,2			R92-1252-05	CHIP R 0 OHM J 1/16W	Z5
R4			RK73GB2A473J	CHIP R 47K J 1/10W	Z4Z5	D31-35			RD5.6S	ZENER DIODE	EE1E2
R5			RK73GB2A102J	CHIP R 1.0K J 1/10W	EE1E2	D31-35			RD5.6S	ZENER DIODE	E3E4E5
R5			RK73GB2A102J	CHIP R 1.0K J 1/10W	E3E4E5	D31-35			RD5.6S	ZENER DIODE	E8E9Z
R5			RK73GB2A102J	CHIP R 1.0K J 1/10W	E8E9Z	D31-35			RD5.6S	ZENER DIODE	Z1Z2Z3
R5			RK73GB2A102J	CHIP R 1.0K J 1/10W	Z1Z2Z3	D31-35			RD5.6S	ZENER DIODE	Z4Z5
R5			RK73GB2A102J	CHIP R 1.0K J 1/10W	Z4Z5	D31-35			UDZS5.6B	ZENER DIODE	EE1E2
R6-8			RK73GB2A471J	CHIP R 470 J 1/10W	EE1E2	D31-35			UDZS5.6B	ZENER DIODE	E3E4E5
R6-8			RK73GB2A471J	CHIP R 470 J 1/10W	E3E4E5	D31-35			UDZS5.6B	ZENER DIODE	E8E9Z
R6-8			RK73GB2A471J	CHIP R 470 J 1/10W	E8E9Z	D31-35			UDZS5.6B	ZENER DIODE	Z1Z2Z3
R6-8			RK73GB2A471J	CHIP R 470 J 1/10W	Z1Z2Z3	D31-35			UDZS5.6B	ZENER DIODE	Z4Z5
R6-8			RK73GB2A471J	CHIP R 470 J 1/10W	Z4Z5	D36			DA204U	DIODE	EE1ZZ1
R9			RK73GB2A102J	CHIP R 1.0K J 1/10W	EE1E2	IC1			LC75883E	MOS-IC	EE1E2
R9			RK73GB2A102J	CHIP R 1.0K J 1/10W	E3E4E5	IC1			LC75883E	MOS-IC	E3E4E5
R9			RK73GB2A102J	CHIP R 1.0K J 1/10W	E8E9Z	IC1			LC75883E	MOS-IC	E8E9Z
R9			RK73GB2A102J	CHIP R 1.0K J 1/10W	Z1Z2Z3	IC1			LC75883E	MOS-IC	Z1Z2Z3
R9			RK73GB2A102J	CHIP R 1.0K J 1/10W	Z4Z5	IC1			LC75883E	MOS-IC	Z4Z5
R10			RK73GB2A470J	CHIP R 47 J 1/10W	EE1ZZ1	IC2			RS-171	ANALOGUE IC	EE1ZZ1
R11			RK73GB2A102J	CHIP R 1.0K J 1/10W	EE1ZZ1	Q1			DTA114EE	DIGITAL TRANSISTOR	EE1E2
R12,13			RK73GB2A222J	CHIP R 2.2K J 1/10W	EE1ZZ1	Q1			DTA114EE	DIGITAL TRANSISTOR	E3E4E5
R21,22			RK73FB2B221J	CHIP R 220 J 1/8W	EE1E2	Q1			DTA114EE	DIGITAL TRANSISTOR	E8E9Z
R21,22			RK73FB2B221J	CHIP R 220 J 1/8W	E3E4E5	Q1			DTA114EE	DIGITAL TRANSISTOR	Z1Z2Z3
R21,22			RK73FB2B221J	CHIP R 220 J 1/8W	E8E9Z	Q1			DTA114EE	DIGITAL TRANSISTOR	Z4Z5
R21,22			RK73FB2B221J	CHIP R 220 J 1/8W	Z1Z2Z3	Q2,3		*	2SC4617	TRANSISTOR	EE1ZZ1
R21,22			RK73FB2B221J	CHIP R 220 J 1/8W	Z4Z5	SWITCH UNIT (X16-2472-7x)					
R23			RK73FB2B431J	CHIP R 430 J 1/8W	EE1E2	245	2C	*	B11-1435-04	OPTICAL DIFFUSER	E6E7Z6
R23			RK73FB2B431J	CHIP R 430 J 1/8W	E3E4E5	245	2C	*	B11-1435-04	OPTICAL DIFFUSER	Z7
R23			RK73FB2B431J	CHIP R 430 J 1/8W	E8E9Z	246	2C	*	B11-1437-04	REFLECTION SHEET	E6E7Z6
R23			RK73FB2B431J	CHIP R 430 J 1/8W	Z1Z2Z3	246	2C	*	B11-1437-04	REFLECTION SHEET	Z7
R23			RK73FB2B431J	CHIP R 430 J 1/8W	Z4Z5	248	2C	*	B19-2242-03	LIGHTING BOARD	E6E7Z6
R24			RK73FB2B271J	CHIP R 270 J 1/8W	EE1ZZ1	248	2C	*	B19-2242-03	LIGHTING BOARD	Z7
R25			RK73FB2B301J	CHIP R 300 J 1/8W	EE1ZZ1	D1			B30-1633-05	LED (WHITE)	E6E7Z6
R27,28			RK73FB2B271J	CHIP R 270 J 1/8W	E2E3E4	D1			B30-1633-05	LED (WHITE)	Z7
R27,28			RK73FB2B271J	CHIP R 270 J 1/8W	E5E8E9	D2			B30-1567-05	LED (1608,RED)	E6E7Z6
R27,28			RK73FB2B271J	CHIP R 270 J 1/8W	Z2Z3Z4	D2			B30-1567-05	LED (1608,RED)	Z7
R27,28			RK73FB2B271J	CHIP R 270 J 1/8W	Z5	D4			B30-1567-05	LED (1608,RED)	E6Z6
R29			RK73GB2A221J	CHIP R 220 J 1/10W	EE1E2	D4		*	B30-1687-05	LED (1608, GRN)	E7Z7
R29			RK73GB2A221J	CHIP R 220 J 1/10W	E3E4E5	D6		*	B30-1687-05	LED (1608, GRN)	E7Z7
R29			RK73GB2A221J	CHIP R 220 J 1/10W	E8E9Z	D6-8			B30-1567-05	LED (1608,RED)	E6Z6
R29			RK73GB2A221J	CHIP R 220 J 1/10W	Z1Z2Z3	D7,8			B30-1533-05	LED (1608,PG)	E7Z7
R29			RK73GB2A221J	CHIP R 220 J 1/10W	Z4Z5	D11-19			B30-1533-05	LED (1608,PG)	E7Z7
R31-33			RK73FB2B331J	CHIP R 330 J 1/8W	EE1E3	D11-19			B30-1567-05	LED (1608,RED)	E6Z6
R31-33			RK73FB2B331J	CHIP R 330 J 1/8W	E5E9Z	ED1		*	B38-1140-05	LIQUID CRYSTAL	E6E7Z6
R31-33			RK73FB2B331J	CHIP R 330 J 1/8W	Z1Z3Z5	ED1		*	B38-1140-05	LIQUID CRYSTAL	Z7
R31-33			RK73FB2B391J	CHIP R 390 J 1/8W	E2E4E8						

(Destination E & Z for EUROPE)

E3 : KDC-3027G **E4** : KDC-308A
E8 : KDC-F327A **E9** : KDC-F327G
Z3 : KDC-3027GY **Z4** : KDC-308AY

E : KDC-4027
E5 : KDC-308G
Z : KDC-4027Y
Z5 : KDC-308GY

E1 : KDC-4027V
E6 : KDC-2027SA
Z1 : KDC-4027VY
Z6 : KDC-2027SAY

E2 : KDC-3027A
E7 : KDC-2027SG
Z2 : KDC-3027AY
Z7 : KDC-2027SGY

△ Indicates safety critical components.

KDC-2027SA/SAY/SG/SGY, 3027A/AY/G/GY KDC-308A/AY/G/GY, 4027/V/VY/Y, F327A/G

PARTS LIST

* New parts

Parts without **Parts No.** are not supplied.

Les articles non mentionnés dans le **Parts No.** ne sont pas fournis.

Teile ohne **Parts No.** werden nicht geliefert.

SWITCH UNIT (X16-2472-7x)

Ref. No.	A d d	N e w	Parts No.	Description	Desti- nation	Ref. No.	A d d	N e w	Parts No.	Description	Desti- nation
C1			CK73GB1H102K	CHIP C 1000PF K	E6E7Z6	C20			CK73FB0J106M	CHIP C 10UF M	
C1			CK73GB1H102K	CHIP C 1000PF K	Z7	C21			CK73GB1C104K	CHIP C 0.10UF K	
C2			CK73GB1H103K	CHIP C 0.010UF K	E6E7Z6	C22			CK73GB1H682K	CHIP C 6800PF K	
C2			CK73GB1H103K	CHIP C 0.010UF K	Z7	C23			CC73GCH1H470J	CHIP C 47PF J	
C3,4			CK73GB1E473K	CHIP C 0.047UF K	E6E7Z6	C24			CC73GCH1H560J	CHIP C 56PF J	
C3,4			CK73GB1E473K	CHIP C 0.047UF K	Z7	C25-27			CK73GB1C104K	CHIP C 0.10UF K	
C11			CK73GB1H103K	CHIP C 0.010UF K	E6E7Z6	C28			CK73FB1A225K	CHIP C 2.2UF K	
C11			CK73GB1H103K	CHIP C 0.010UF K	Z7	C29			CK73GB1H682K	CHIP C 6800PF K	
249	2C	*	E29-1965-04	CONDUCTIVE RUBBER	E6E7Z6	C30			CK73GB1C104K	CHIP C 0.10UF K	
249	2C	*	E29-1965-04	CONDUCTIVE RUBBER	Z7	C31			CK73GB0J105K	CHIP C 1.0UF K	
250	2C	*	E29-1966-04	CONDUCTIVE RUBBER	E6E7Z6	C32			CC73GCH1H040C	CHIP C 4.0PF C	
250	2C	*	E29-1966-04	CONDUCTIVE RUBBER	Z7	C33			CK73GB1H332K	CHIP C 3300PF K	
J1			E59-0828-05	RECTANGULAR PLUG (15PIN)	E6E7Z6	C34			CK73GB1C104K	CHIP C 0.10UF K	
J1			E59-0828-05	RECTANGULAR PLUG (15PIN)	Z7	C35			CK73GB1H331K	CHIP C 330PF K	
J1			E59-0828-05	RECTANGULAR PLUG (15PIN)	Z7	C36			CK73GB1H472K	CHIP C 4700PF K	
R1			RK73GB2A563J	CHIP R 56K J 1/10W	E6E7Z6	C37			CK73GB1H331K	CHIP C 330PF K	
R1			RK73GB2A563J	CHIP R 56K J 1/10W	Z7	C38			CK73GB1H152K	CHIP C 1500PF K	
R2			RK73GB2A4R7J	CHIP R 4.7 J 1/10W	E6E7Z6	C39			CC73GCH1H330J	CHIP C 33PF J	
R2			RK73GB2A4R7J	CHIP R 4.7 J 1/10W	Z7	C40			CK73GB1C104K	CHIP C 0.10UF K	
R3			RK73GB2A472J	CHIP R 4.7K J 1/10W	E6E7Z6	C41,42			CK73GB1H103K	CHIP C 0.010UF K	
R3			RK73GB2A472J	CHIP R 4.7K J 1/10W	Z7	C43-46			CK73GB1H152K	CHIP C 1500PF K	
R6-8			RK73GB2A471J	CHIP R 470 J 1/10W	E6E7Z6	CN1		*	E41-2068-05	FLAT CABLE CONNECTOR (16PIN)	
R6-8			RK73GB2A471J	CHIP R 470 J 1/10W	Z7	CN1		*	E41-2085-05	FLAT CABLE CONNECTOR (16PIN)	
R9			RK73GB2A102J	CHIP R 1.0K J 1/10W	E6E7Z6	CN2		*	E41-2082-05	FLAT CABLE CONNECTOR (22PIN)	
R9			RK73GB2A102J	CHIP R 1.0K J 1/10W	Z7	L1			L92-0329-05	CHIP FERRITE	
R21,22			RK73FB2B221J	CHIP R 220 J 1/8W	E6E7Z6	X1			L78-0867-05	RESONATOR (4.19MHZ)	
R21,22			RK73FB2B221J	CHIP R 220 J 1/8W	Z7	X2			L78-0851-05	RESONATOR (16.934MHZ)	
R23			RK73FB2B361J	CHIP R 360 J 1/8W	E7Z7	CP1			RK74GA1J101J	CHIP-COM 100 J 1/16W	
R23			RK73FB2B391J	CHIP R 390 J 1/8W	E6Z6	CP3			RK74GA1J101J	CHIP-COM 100 J 1/16W	
R27,28			RK73FB2B271J	CHIP R 270 J 1/8W	E6E7Z6	CP4			RK74GA1J104J	CHIP-COM 100K J 1/16W	
R27,28			RK73FB2B271J	CHIP R 270 J 1/8W	Z7	CP5		*	RK74GB1J102J	CHIP-COM 1.0K J 1/16W	
R31-33			RK73FB2B331J	CHIP R 330 J 1/8W	E7Z7	CP6		*	RK74GA1J102J	CHIP-COM 1.0K J 1/16W	
R31-33			RK73FB2B391J	CHIP R 390 J 1/8W	E6Z6	CP7			RK74GB1J103J	CHIP-COM 10K J 1/16W	
D32-35			RD5.6S	ZENER DIODE	E6E7Z6	CP8			RK74GB1J472J	CHIP-COM 4.7K J 1/16W	
D32-35			RD5.6S	ZENER DIODE	Z7	R1,2			RK73FB2B331J	CHIP R 330 J 1/8W	
D32-35			UDZS5.6B	ZENER DIODE	E6E7Z6	R3			RK73GB2A102J	CHIP R 1.0K J 1/10W	
D32-35			UDZS5.6B	ZENER DIODE	Z7	R6			RK73GB2A104J	CHIP R 100K J 1/10W	
IC1			LC75853NE	MOS-IC	E6E7Z6	R7,8			RK73GB2A103J	CHIP R 10K J 1/10W	
IC1			LC75853NE	MOS-IC	Z7	R9			RK73GB2A104J	CHIP R 100K J 1/10W	
Q1			DTA114EE	DIGITAL TRANSISTOR	E6E7Z6	R10			R92-3494-05	CHIP R 5.6 J 1/2W	
Q1			DTA114EE	DIGITAL TRANSISTOR	Z7	R11			RK73GB2A102J	CHIP R 1.0K J 1/10W	
CD PLAYER UNIT (X32-5490-00)						R12			RK73GB2A104J	CHIP R 100K J 1/10W	
C1,2			CK73GB1H222K	CHIP C 2200PF K		R13-15			RK73GB2A101J	CHIP R 100 J 1/10W	
C3			CK73FB1A225K	CHIP C 2.2UF K		R16			RK73GB2A102J	CHIP R 1.0K J 1/10W	
C4			CK73GB1C104K	CHIP C 0.10UF K		R17,18			RK73GB2A4R7J	CHIP R 4.7 J 1/10W	
C6-9			CK73GB1C104K	CHIP C 0.10UF K		R19			RK73GB2A101J	CHIP R 100 J 1/10W	
C10			CK73GB1H103K	CHIP C 0.010UF K		R20			RK73GB2A472J	CHIP R 4.7K J 1/10W	
C11			CK73GB0J105K	CHIP C 1.0UF K		R22			RK73GB2A104J	CHIP R 100K J 1/10W	
C12			CK73GB1C104K	CHIP C 0.10UF K		R23			RK73FB2B4R7J	CHIP R 4.7 J 1/8W	
C13			CK73FB0J106M	CHIP C 10UF M		R24			RK73GB2A104J	CHIP R 100K J 1/10W	
C14			CK73GB1H152K	CHIP C 1500PF K		R25			RK73GB2A393J	CHIP R 39K J 1/10W	
C15			CK73GB1H102K	CHIP C 1000PF K		R26			RK73GB2A274J	CHIP R 270K J 1/10W	
C16,17			CK73GB0J105K	CHIP C 1.0UF K		R27,28			RK73GB2A302J	CHIP R 3.0K J 1/10W	
C18,19			CK73GB1C104K	CHIP C 0.10UF K							

(Destination E & Z for EUROPE)

E3 : KDC-3027G **E4** : KDC-308A
E8 : KDC-F327A **E9** : KDC-F327G
Z3 : KDC-3027GY **Z4** : KDC-308AY

E : KDC-4027
E5 : KDC-308G
Z : KDC-4027Y
Z5 : KDC-308GY

E1 : KDC-4027V
E6 : KDC-2027SA
Z1 : KDC-4027VY
Z6 : KDC-2027SAY

E2 : KDC-3027A
E7 : KDC-2027SG
Z2 : KDC-3027AY
Z7 : KDC2027SGY

△ Indicates safety critical components.

KDC-2027SA/SAY/SG/SGY, 3027A/AY/G/GY KDC-308A/AY/G/GY, 4027N/VY/Y, F327A/G

PARTS LIST

* New parts

Parts without **Parts No.** are not supplied.

Les articles non mentionnés dans le **Parts No.** ne sont pas fournis.

Teile ohne **Parts No.** werden nicht geliefert.

CD PLAYER UNIT (X32-5490-00)

Ref. No.	A d	N e w	Parts No.	Description	Desti- nation
R29,30			RK73GB2A101J	CHIP R 100 J 1/10W	
R31			RK73GB2A133J	CHIP R 13K J 1/10W	
R32			RK73GB2A102J	CHIP R 1.0K J 1/10W	
R33			RK73GB2A392J	CHIP R 3.9K J 1/10W	
R34			RK73GB2A123J	CHIP R 12K J 1/10W	
R35			RK73GB2A133J	CHIP R 13K J 1/10W	
R36,37			RK73GB2A123J	CHIP R 12K J 1/10W	
R38			RK73GB2A432J	CHIP R 4.3K J 1/10W	
R39			RK73GB2A163J	CHIP R 16K J 1/10W	
R40			RK73GB2A133J	CHIP R 13K J 1/10W	
R41			RK73GB2A472J	CHIP R 4.7K J 1/10W	
R42			RK73GB2A183J	CHIP R 18K J 1/10W	
R43			RK73GB2A333J	CHIP R 33K J 1/10W	
R44			RK73GB2A103J	CHIP R 10K J 1/10W	
R45			RK73GB2A241J	CHIP R 240 J 1/10W	
R46,47			RK73GB2A562J	CHIP R 5.6K J 1/10W	
S1,2			S68-0863-05	PUSH SWITCH	
S3			S68-0862-05	PUSH SWITCH	
D2		*	DAN202UF	DIODE	
IC1		*	789166YGB-A513	MICROCONTROLLER IC	
IC2		*	NJM2880U133	ANALOGUE IC	
IC3		*	UPD63712GC	MOS-IC	
IC4		*	BA5824FP-F	ANALOGUE IC	
Q2		*	DTA114YUAF	DIGITAL TRANSISTOR	
Q3			2SB0970	TRANSISTOR	
Q4		*	DTC114YUAF	DIGITAL TRANSISTOR	
ELECTRIC UNIT (X34-3102-7x)					
C1			C94-0216-05	ELECTRO 3300UF 16WV	
C21			CK73GB1H103K	CHIP C 0.010UF K	
C30			CK73GB1H103K	CHIP C 0.010UF K	EE1E2
C30			CK73GB1H103K	CHIP C 0.010UF K	E3E4E5
C30			CK73GB1H103K	CHIP C 0.010UF K	E8E9Z
C30			CK73GB1H103K	CHIP C 0.010UF K	Z1Z2Z3
C30			CK73GB1H103K	CHIP C 0.010UF K	Z4Z5
C40			CK73GB1H103K	CHIP C 0.010UF K	
C50		*	CD04AS1E100M	ELECTRO 10UF 25WV	
C52-54		*	CD04AS1C100M	ELECTRO 10UF 16WV	
C55		*	CD04AS1E100M	ELECTRO 10UF 25WV	
C56			CD04AT1H100M	ELECTRO 10UF 50WV	
C57			C90-2980-05	ELECTRO 220UF 16WV	
C58			C90-2962-05	ELECTRO 100UF 16WV	
C63		*	CD04AS1C220M	ELECTRO 22UF 16WV	
C101		*	CD04AS0J101M	ELECTRO 100UF 6.3WV	
C102			CK73GB1H103K	CHIP C 0.010UF K	
C103			CK73GB1C104K	CHIP C 0.10UF K	
C104,105			CC73GCH1H150J	CHIP C 15PF J	
C106			CK73GB1H102K	CHIP C 1000PF K	
C142			CK73GB1C104K	CHIP C 0.10UF K	
C204,205		*	CD04AS1H2R2M	ELECTRO 2.2UF 50WV	
C223,224		*	CD04AS1C100M	ELECTRO 10UF 16WV	
C226,227			CC73GCH1H681J	CHIP C 680PF J	
C251-254			C94-0179-05	ELECTRO 0.22UF 50WV	
C255		*	CD04AS1H010M	ELECTRO 1UF 50WV	

Ref. No.	A d	N e w	Parts No.	Description	Desti- nation
C256		*	CD04AS1A101M	ELECTRO 100UF 10WV	E2E3E4
C256		*	CD04AS1A101M	ELECTRO 100UF 10WV	E5E6E7
C256		*	CD04AS1A101M	ELECTRO 100UF 10WV	E8E9Z2
C256		*	CD04AS1A101M	ELECTRO 100UF 10WV	Z3Z4Z5
C256		*	CD04AS1A101M	ELECTRO 100UF 10WV	Z6Z7
C256		*	CD04AS1A330M	ELECTRO 33UF 10WV	EE1ZZ1
C257		*	CD04AS1H010M	ELECTRO 1UF 50WV	
C258			C90-5663-05	ELECTRO 1UF 50WV	
C351			CD04AT0J100M	ELECTRO 10UF 6.3WV	EE1E2
C351			CD04AT0J100M	ELECTRO 10UF 6.3WV	E3E4E5
C351			CD04AT0J100M	ELECTRO 10UF 6.3WV	E8E9Z
C351			CD04AT0J100M	ELECTRO 10UF 6.3WV	Z1Z2Z3
C351			CD04AT0J100M	ELECTRO 10UF 6.3WV	Z4Z5
C352			CC73GCH1H331J	CHIP C 330PF J	EE1E2
C352			CC73GCH1H331J	CHIP C 330PF J	E3E4E5
C352			CC73GCH1H331J	CHIP C 330PF J	E8E9Z
C352			CC73GCH1H331J	CHIP C 330PF J	Z1Z2Z3
C352			CC73GCH1H331J	CHIP C 330PF J	Z4Z5
C353			CD04AT0J100M	ELECTRO 10UF 6.3WV	EE1E2
C353			CD04AT0J100M	ELECTRO 10UF 6.3WV	E3E4E5
C353			CD04AT0J100M	ELECTRO 10UF 6.3WV	E8E9Z
C353			CD04AT0J100M	ELECTRO 10UF 6.3WV	Z1Z2Z3
C353			CD04AT0J100M	ELECTRO 10UF 6.3WV	Z4Z5
C354			CK73GB1H103K	CHIP C 0.010UF K	EE1E2
C354			CK73GB1H103K	CHIP C 0.010UF K	E3E4E5
C354			CK73GB1H103K	CHIP C 0.010UF K	E8E9Z
C354			CK73GB1H103K	CHIP C 0.010UF K	Z1Z2Z3
C354			CK73GB1H103K	CHIP C 0.010UF K	Z4Z5
C355,356			CC73GCH1H100D	CHIP C 10PF D	EE1E2
C355,356			CC73GCH1H100D	CHIP C 10PF D	E3E4E5
C355,356			CC73GCH1H100D	CHIP C 10PF D	E8E9Z
C355,356			CC73GCH1H100D	CHIP C 10PF D	Z1Z2Z3
C355,356			CC73GCH1H100D	CHIP C 10PF D	Z4Z5
C401,402			CD04AT1H010M	ELECTRO 1UF 50WV	EE1ZZ1
C403			CD04AT1A101M	ELECTRO 100UF 10WV	EE1ZZ1
C404			CK73GB1H103K	CHIP C 0.010UF K	EE1ZZ1
C502			CK73GB1H152K	CHIP C 1500PF K	
C503			CK73GB1C104K	CHIP C 0.10UF K	
C504			CK73GB1H103K	CHIP C 0.010UF K	
C505		*	CD04AT1C4R7M	ELECTRO 4.7UF 16WV	
C506			CK73GB1C104K	CHIP C 0.10UF K	
C507			CD04AT1A330M	ELECTRO 33UF 10WV	
C508			CD04AT1A220M	ELECTRO 22UF 10WV	
C509			CC73GCH1H680J	CHIP C 68PF J	
C510			CC73GCH1H101J	CHIP C 100PF J	
C511			CK73GB1H103K	CHIP C 0.010UF K	
C512		*	CD04AT1C4R7M	ELECTRO 4.7UF 16WV	
C513,514			CK73GB1H103K	CHIP C 0.010UF K	
C515			CK73FB1C105K	CHIP C 1.0UF K	
C516			CC73GCH1H100D	CHIP C 10PF D	
C521			CK73GB1C104K	CHIP C 0.10UF K	
C522			CC73GCH1H330J	CHIP C 33PF J	
C523			CC73GCH1H270J	CHIP C 27PF J	
C524			CC73GCH1H101J	CHIP C 100PF J	
C525			CK73GB1H103K	CHIP C 0.010UF K	

(Destination E & Z for EUROPE)

E3 : KDC-3027G **E4** : KDC-308A **E5** : KDC-308G
E8 : KDC-F327A **E9** : KDC-F327G **Z** : KDC-4027Y
Z3 : KDC-3027GY **Z4** : KDC-308AY **Z5** : KDC-308GY

E1 : KDC-4027V **E2** : KDC-3027A
E6 : KDC-2027SA **E7** : KDC-2027SG
Z1 : KDC-4027VY **Z2** : KDC-3027AY
Z6 : KDC-2027SAY **Z7** : KDC-2027SGY

△ Indicates safety critical components.

KDC-2027SA/SAY/SG/SGY, 3027A/AY/G/GY KDC-308A/AY/G/GY, 4027/V/VY/Y, F327A/G

PARTS LIST

* New parts

Parts without **Parts No.** are not supplied.

Les articles non mentionnés dans le **Parts No.** ne sont pas fournis.

Teile ohne **Parts No.** werden nicht geliefert.

ELECTRIC UNIT (X34-3102-7x)

Ref. No.	Add	New	Parts No.	Description	Desti- nation	Ref. No.	Add	New	Parts No.	Description	Desti- nation
C526			CC73GCH1H050C	CHIP C 5.0PF C		C590			CK73GB1C104K	CHIP C 0.10UF K	Z4Z5
C528			CC73GCH1H060D	CHIP C 6.0PF D		C591			CD04AT1A330M	ELECTRO 33UF 10WV	
C530			CC73GCH1H040C	CHIP C 4.0PF C		C592			CK73GB1H103K	CHIP C 0.010UF K	EE1E2
C531			CK73FB1C105K	CHIP C 1.0UF K		C592			CK73GB1H103K	CHIP C 0.010UF K	E3E4E5
C533,534			CK73GB1H103K	CHIP C 0.010UF K		C592			CK73GB1H103K	CHIP C 0.010UF K	E8E9Z
C535			CC73GCH1H020C	CHIP C 2.0PF C		C592			CK73GB1H103K	CHIP C 0.010UF K	Z1Z2Z3
C536			CC73GCH1H040C	CHIP C 4.0PF C		C592			CK73GB1H103K	CHIP C 0.010UF K	Z4Z5
C537,538			CC73GCH1H080D	CHIP C 8.0PF D		C593			CK73FB1C105K	CHIP C 1.0UF K	
C541			CC73GCH1H040C	CHIP C 4.0PF C		C600			CD04AT1A101M	ELECTRO 100UF 10WV	
C542			CC73GCH1H220J	CHIP C 22PF J		CN1			E40-9550-05	FLAT CABLE CONNECTOR (22PIN)	
C543			CC73GCH1H680J	CHIP C 68PF J		J1			E04-0312-05	RF COAXIAL CABLE RECEPTACLE	
C544			CC73GCH1H150J	CHIP C 15PF J		J2			E58-0863-15	RECTANGULAR RECEPTACLE	
C545			CK73GB1H682K	CHIP C 6800PF K		J3			E58-0879-05	RECTANGULAR RECEPTACLE	
C546			CK73GB1H103K	CHIP C 0.010UF K		J4			E56-0834-05	CYLINDRICAL RECEPTACLE	EE1Z1
C547			CD04AT1A100M	ELECTRO 10UF 10WV		J5			E63-0852-05	PIN JACK	
C548			CK73GB1E223K	CHIP C 0.022UF K		P1			E23-0745-05	TERMINAL	
C549			CK73GB1H222K	CHIP C 2200PF K		WH2	*		E30-6306-05	WIRING HARNESS	EE1E2
C550			CK73GB1E333K	CHIP C 0.033UF K		WH2	*		E30-6306-05	WIRING HARNESS	E3E4E5
C551,552			CK73GB1H103K	CHIP C 0.010UF K		WH2	*		E30-6306-05	WIRING HARNESS	E8E9Z
C553			CK73GB1E473K	CHIP C 0.047UF K		WH2	*		E30-6306-05	WIRING HARNESS	Z1Z2Z3
C554			CK73GB1C104K	CHIP C 0.10UF K		WH2	*		E30-6306-05	WIRING HARNESS	Z4Z5
C555,556			CK73GB1H102K	CHIP C 1000PF K		CF51			L72-0781-05	CERAMIC FILTER	
C560			CC73GCH1H101J	CHIP C 100PF J		CF52,53			L72-0716-05	CERAMIC FILTER	
C561			CD04AT1H010M	ELECTRO 1UF 50WV		CF54			L72-0743-05	CERAMIC FILTER	
C562			CD04AT1A100M	ELECTRO 10UF 10WV		L1			L33-1170-05	CHOKE COIL ASSY	
C563			CD04AT1HR47M	ELECTRO 0.47UF 50WV		L2			L33-1807-05	CHOKE COIL	
C564			CK73GB1A474K	CHIP C 0.47UF K		L4			L33-1123-05	LINE FILTER COIL	
C565		*	CD04AS1A470M	ELECTRO 47UF 10WV		L101			L40-4795-91	SMALL FIXED INDUCTOR (4.7UH,J)	
C568			CC73GCH1H221J	CHIP C 220PF J	EE1E2	L501			L40-6891-58	SMALL FIXED INDUCTOR	
C568			CC73GCH1H221J	CHIP C 220PF J	E3E4E5	L502			L40-3301-58	SMALL FIXED INDUCTOR (33U)	
C568			CC73GCH1H221J	CHIP C 220PF J	E8E9Z	L503			L40-1021-56	SMALL FIXED INDUCTOR (1MH)	
C568			CC73GCH1H221J	CHIP C 220PF J	Z1Z2Z3	L504			L40-1011-58	SMALL FIXED INDUCTOR	
C568			CC73GCH1H821J	CHIP C 820PF J	Z4Z5	L505			L31-0967-05	FM-RF COIL	
C568			CC73GCH1H821J	CHIP C 820PF J	E6E7Z6	L506			L31-0970-05	FM-RF COIL	
C568			CC73GCH1H821J	CHIP C 820PF J	Z7	L507			L32-0936-05	FM OSCILLATING COIL	
C580			CK73GB1H103K	CHIP C 0.010UF K		L508			L30-0770-05	FM IFT	
C581			CC73GCH1H020C	CHIP C 2.0PF C		L509			L30-0773-05	AM IFT	
C582,583			CK73GB1C104K	CHIP C 0.10UF K		L510			L40-4795-91	SMALL FIXED INDUCTOR (4.7UH,J)	
C584		*	CD04AT1C4R7M	ELECTRO 4.7UF 16WV		L512-514			L40-4795-91	SMALL FIXED INDUCTOR (4.7UH,J)	
C585			CK73GB1H103K	CHIP C 0.010UF K		L516,517			L40-4795-91	SMALL FIXED INDUCTOR (4.7UH,J)	
C586			CK73GB1C104K	CHIP C 0.10UF K		X1			L77-1167-05	CRYSTAL RESONATOR (4.19MHz)	
C587			CK73GB1H103K	CHIP C 0.010UF K	E6E7Z6	X2			L77-2002-05	CRYSTAL RESONATOR (4.332MHz)	EE1E2
C587			CK73GB1H103K	CHIP C 0.010UF K	Z7	X2			L77-2002-05	CRYSTAL RESONATOR (4.332MHz)	E3E4E5
C587			CK73GB1H821K	CHIP C 820PF K	EE1E2	X2			L77-2002-05	CRYSTAL RESONATOR (4.332MHz)	E8E9Z
C587			CK73GB1H821K	CHIP C 820PF K	E3E4E5	X2			L77-2002-05	CRYSTAL RESONATOR (4.332MHz)	Z1Z2Z3
C587			CK73GB1H821K	CHIP C 820PF K	E8E9Z	X2			L77-2002-05	CRYSTAL RESONATOR (4.332MHz)	Z4Z5
C587			CK73GB1H821K	CHIP C 820PF K	Z1Z2Z3	X501			L77-2077-05	CRYSTAL RESONATOR (10.25MHz)	
C587			CK73GB1H821K	CHIP C 820PF K	Z4Z5						
C588			CK73GB1A474K	CHIP C 0.47UF K		D	2D		N83-3005-46	PAN HEAD TAPTITE SCREW	
C589			CK73GB1C104K	CHIP C 0.10UF K	E6E7Z6	E	2D		N80-3010-46	PAN HEAD TAPTITE SCREW	
C589			CK73GB1C104K	CHIP C 0.10UF K	Z7	F	2D		N83-3020-46	PAN HEAD TAPTITE SCREW	
C590			CK73GB1C104K	CHIP C 0.10UF K	EE1E2	G	2D		N86-2606-46	BINDING HEAD TAPTITE SCREW	
C590			CK73GB1C104K	CHIP C 0.10UF K	E3E4E5	CP1			R90-1049-05	MULTI-COMP 10K X2	
C590			CK73GB1C104K	CHIP C 0.10UF K	E8E9Z	CP2			R90-1047-05	MULTI-COMP 2.2K X2	
C590			CK73GB1C104K	CHIP C 0.10UF K	Z1Z2Z3						

(Destination E & Z for EUROPE)

E3 : KDC-3027G **E4** : KDC-308A
E8 : KDC-F327A **E9** : KDC-F327G
Z3 : KDC-3027GY **Z4** : KDC-308AY

E : KDC-4027
E5 : KDC-308G
Z : KDC-4027Y
Z5 : KDC-308GY

E1 : KDC-4027V
E6 : KDC-2027SA
Z1 : KDC-4027VY
Z6 : KDC-2027SAY

E2 : KDC-3027A
E7 : KDC-2027SG
Z2 : KDC-3027AY
Z7 : KDC-2027SGY

△ Indicates safety critical components.

KDC-2027SA/SAY/SG/SGY, 3027A/AY/G/GY
KDC-308A/AY/G/GY, 4027N/VY/Y, F327A/G

PARTS LIST

* New parts

Parts without **Parts No.** are not supplied.

Les articles non mentionnés dans le **Parts No.** ne sont pas fournis.

Teile ohne **Parts No.** werden nicht geliefert.

ELECTRIC UNIT (X34-3102-7x)

Ref. No.	A d d	N e w	Parts No.	Description	Desti- nation
CP3			R90-1046-05	MULTI-COMP 1K X2	
R10			RK73FB2B303J	CHIP R 30K J 1/8W	
R11			RK73GB2A103J	CHIP R 10K J 1/10W	
R12			RK73GB2A104J	CHIP R 100K J 1/10W	
R20			RD14DB2H332J	SMALL-RD 3.3K J 1/2W	
R21			RD14BB2C333J	RD 33K J 1/6W	
R22			RK73GB2A103J	CHIP R 10K J 1/10W	
R23			RK73GB2A104J	CHIP R 100K J 1/10W	
R25			RD14BB2C472J	RD 4.7K J 1/6W	
R28			RD14BB2C472J	RD 4.7K J 1/6W	
R30			RD14BB2C103J	RD 10K J 1/6W	EE1E2
R30			RD14BB2C103J	RD 10K J 1/6W	E3E4E5
R30			RD14BB2C103J	RD 10K J 1/6W	E8E9Z
R30			RD14BB2C103J	RD 10K J 1/6W	Z1Z2Z3
R30			RD14BB2C103J	RD 10K J 1/6W	Z4Z5
R31			RK73GB2A473J	CHIP R 47K J 1/10W	
R32			RK73GB2A223J	CHIP R 22K J 1/10W	
R50			RD14BB2C562J	RD 5.6K J 1/6W	
R51			RK73GB2A473J	CHIP R 47K J 1/10W	
R57			RK73FB2B152J	CHIP R 1.5K J 1/8W	
R58			RD14BB2C471J	RD 470 J 1/6W	
R68,69			RK73GB2A103J	CHIP R 10K J 1/10W	
R71			RK73GB2A823J	CHIP R 82K J 1/10W	
R72			RK73GB2A363J	CHIP R 36K J 1/10W	
R73			RK73GB2A104J	CHIP R 100K J 1/10W	
R101			RD14BB2C241J	RD 240 J 1/6W	
R102-104			RK73GB2A102J	CHIP R 1.0K J 1/10W	EE1E2
R102-104			RK73GB2A102J	CHIP R 1.0K J 1/10W	E3E4E5
R102-104			RK73GB2A102J	CHIP R 1.0K J 1/10W	E8E9Z
R102-104			RK73GB2A102J	CHIP R 1.0K J 1/10W	Z1Z2Z3
R102-104			RK73GB2A102J	CHIP R 1.0K J 1/10W	Z4Z5
R103,104			RK73GB2A102J	CHIP R 1.0K J 1/10W	E6E7Z6
R103,104			RK73GB2A102J	CHIP R 1.0K J 1/10W	Z7
R105			RK73GB2A471J	CHIP R 470 J 1/10W	
R106			RK73GB2A104J	CHIP R 100K J 1/10W	
R107,108			RK73GB2A222J	CHIP R 2.2K J 1/10W	
R110			RK73GB2A472J	CHIP R 4.7K J 1/10W	
R113,114			RK73GB2A473J	CHIP R 47K J 1/10W	
R115			RK73GB2A102J	CHIP R 1.0K J 1/10W	
R116			RK73GB2A103J	CHIP R 10K J 1/10W	
R117			RK73GB2A102J	CHIP R 1.0K J 1/10W	
R118			RK73GB2A103J	CHIP R 10K J 1/10W	
R119			RK73GB2A473J	CHIP R 47K J 1/10W	
R121			RK73GB2A222J	CHIP R 2.2K J 1/10W	
R122			RK73GB2A101J	CHIP R 100 J 1/10W	
R123			RK73GB2A102J	CHIP R 1.0K J 1/10W	
R125			RK73GB2A102J	CHIP R 1.0K J 1/10W	
R126			RK73GB2A104J	CHIP R 100K J 1/10W	
R127			RK73GB2A222J	CHIP R 2.2K J 1/10W	
R128			RK73GB2A225J	CHIP R 2.2M J 1/10W	
R129,130			RK73GB2A222J	CHIP R 2.2K J 1/10W	
R131			RK73GB2A682J	CHIP R 6.8K J 1/10W	
R132			RK73GB2A222J	CHIP R 2.2K J 1/10W	
R133			RK73GB2A123J	CHIP R 12K J 1/10W	
R134			RD14BB2C222J	RD 2.2K J 1/6W	EE1E2

Ref. No.	A d d	N e w	Parts No.	Description	Desti- nation
R134			RD14BB2C222J	RD 2.2K J 1/6W	E3E4E5
R134			RD14BB2C222J	RD 2.2K J 1/6W	E8E9Z
R134			RD14BB2C222J	RD 2.2K J 1/6W	Z1Z2Z3
R134			RD14BB2C222J	RD 2.2K J 1/6W	Z4Z5
R135			RK73GB2A473J	CHIP R 47K J 1/10W	EE1E2
R135			RK73GB2A473J	CHIP R 47K J 1/10W	E4E6E7
R135			RK73GB2A473J	CHIP R 47K J 1/10W	E8ZZ1
R135			RK73GB2A473J	CHIP R 47K J 1/10W	Z2Z4Z6
R135			RK73GB2A473J	CHIP R 47K J 1/10W	Z7
R136			RK73GB2A473J	CHIP R 47K J 1/10W	E3E5E9
R136			RK73GB2A473J	CHIP R 47K J 1/10W	Z3Z5
R138			RK73GB2A473J	CHIP R 47K J 1/10W	E2E3E4
R138			RK73GB2A473J	CHIP R 47K J 1/10W	E5E6E7
R138			RK73GB2A473J	CHIP R 47K J 1/10W	E8E9Z2
R138			RK73GB2A473J	CHIP R 47K J 1/10W	Z3Z4Z5
R138			RK73GB2A473J	CHIP R 47K J 1/10W	Z6Z7
R138,139			RK73GB2A473J	CHIP R 47K J 1/10W	EE1ZZ1
R140			RK73GB2A473J	CHIP R 47K J 1/10W	E2E3E4
R140			RK73GB2A473J	CHIP R 47K J 1/10W	E5E6E7
R140			RK73GB2A473J	CHIP R 47K J 1/10W	E8E9Z2
R140			RK73GB2A473J	CHIP R 47K J 1/10W	Z3Z4Z5
R140			RK73GB2A473J	CHIP R 47K J 1/10W	Z6Z7
R141			RD14BB2C472J	RD 4.7K J 1/6W	
R143			RD14BB2C472J	RD 4.7K J 1/6W	
R144			RK73GB2A104J	CHIP R 100K J 1/10W	
R145			RD14BB2C222J	RD 2.2K J 1/6W	
R163			RD14BB2C100J	RD 10 J 1/6W	
R164,165			RD14BB2C471J	RD 470 J 1/6W	
R166			RD14BB2C102J	RD 1.0K J 1/6W	
R167			RD14BB2C101J	RD 100 J 1/6W	
R168-170			RD14BB2C102J	RD 1.0K J 1/6W	EE1E2
R168-170			RD14BB2C102J	RD 1.0K J 1/6W	E3E4E5
R168-170			RD14BB2C102J	RD 1.0K J 1/6W	E8E9Z
R168-170			RD14BB2C102J	RD 1.0K J 1/6W	Z1Z2Z3
R168-170			RD14BB2C102J	RD 1.0K J 1/6W	Z4Z5
R169			RD14BB2C102J	RD 1.0K J 1/6W	E6E7Z6
R169			RD14BB2C102J	RD 1.0K J 1/6W	Z7
R171			RD14BB2C470J	RD 47 J 1/6W	EE1ZZ1
R172			RD14BB2C102J	RD 1.0K J 1/6W	
R174			RK73GB2A473J	CHIP R 47K J 1/10W	
R175			RK73GB2A104J	CHIP R 100K J 1/10W	E2E3E4
R175			RK73GB2A104J	CHIP R 100K J 1/10W	E5E8E9
R175			RK73GB2A104J	CHIP R 100K J 1/10W	Z2Z3Z4
R175			RK73GB2A104J	CHIP R 100K J 1/10W	Z5
R176			RK73GB2A102J	CHIP R 1.0K J 1/10W	EE1E2
R176			RK73GB2A102J	CHIP R 1.0K J 1/10W	E3E4E5
R176			RK73GB2A102J	CHIP R 1.0K J 1/10W	E8E9Z
R176			RK73GB2A102J	CHIP R 1.0K J 1/10W	Z1Z2Z3
R176			RK73GB2A102J	CHIP R 1.0K J 1/10W	Z4Z5
R201			RK73GB2A473J	CHIP R 47K J 1/10W	
R204			RK73GB2A102J	CHIP R 1.0K J 1/10W	EE1E2
R204			RK73GB2A102J	CHIP R 1.0K J 1/10W	E3E4E5
R204			RK73GB2A102J	CHIP R 1.0K J 1/10W	E8E9Z
R204			RK73GB2A102J	CHIP R 1.0K J 1/10W	Z1Z2Z3
R204			RK73GB2A102J	CHIP R 1.0K J 1/10W	Z4Z5

(Destination E & Z for EUROPE)

E3 : KDC-3027G **E4** : KDC-308A
E8 : KDC-F327A **E9** : KDC-F327G
Z3 : KDC-3027GY **Z4** : KDC-308AY

E : KDC-4027
E5 : KDC-308G
Z : KDC-4027Y
Z5 : KDC-308GY

E1 : KDC-4027V
E6 : KDC-2027SA
Z1 : KDC-4027VY
Z6 : KDC-2027SAY

E2 : KDC-3027A
E7 : KDC-2027SG
Z2 : KDC-3027AY
Z7 : KDC-2027SGY

△ Indicates safety critical components.

KDC-2027SA/SAY/SG/SGY, 3027A/AY/G/GY KDC-308A/AY/G/GY, 4027/V/VY/Y, F327A/G

PARTS LIST

* New parts

Parts without **Parts No.** are not supplied.

Les articles non mentionnés dans le **Parts No.** ne sont pas fournis.

Teile ohne **Parts No.** werden nicht geliefert.

ELECTRIC UNIT (X34-3102-7x)

Ref. No.	A d d	N e w	Parts No.	Description	Desti- nation	Ref. No.	A d d	N e w	Parts No.	Description	Desti- nation
R205			RK73GB2A472J	CHIP R 4.7K J 1/10W	EE1E2	R351,352			RD14BB2C222J	RD 2.2K J 1/6W	EE1E2
R205			RK73GB2A472J	CHIP R 4.7K J 1/10W	E3E4E5	R351,352			RD14BB2C222J	RD 2.2K J 1/6W	E3E4E5
R205			RK73GB2A472J	CHIP R 4.7K J 1/10W	E8E9Z	R351,352			RD14BB2C222J	RD 2.2K J 1/6W	E8E9Z
R205			RK73GB2A472J	CHIP R 4.7K J 1/10W	Z1Z2Z3	R351,352			RD14BB2C222J	RD 2.2K J 1/6W	Z1Z2Z3
R205			RK73GB2A472J	CHIP R 4.7K J 1/10W	Z4Z5	R351,352			RD14BB2C222J	RD 2.2K J 1/6W	Z4Z5
R223,224			RK73FB2B271J	CHIP R 270 J 1/8W		R353			RK73EB2E222J	CHIP R 2.2K J 1/4W	EE1E2
R227,228			RD14BB2C303J	RD 30K J 1/6W		R353			RK73EB2E222J	CHIP R 2.2K J 1/4W	E3E4E5
R231,232			RD14BB2C101J	RD 100 J 1/6W		R353			RK73EB2E222J	CHIP R 2.2K J 1/4W	E8E9Z
R251			RK73GB2A472J	CHIP R 4.7K J 1/10W	E2E3E4	R353			RK73EB2E222J	CHIP R 2.2K J 1/4W	Z1Z2Z3
R251			RK73GB2A472J	CHIP R 4.7K J 1/10W	E5E6E7	R353			RK73EB2E222J	CHIP R 2.2K J 1/4W	Z4Z5
R251			RK73GB2A472J	CHIP R 4.7K J 1/10W	E8E9Z2	R401,402			RD14BB2C100J	RD 10 J 1/6W	EE1Z21
R251			RK73GB2A472J	CHIP R 4.7K J 1/10W	Z3Z4Z5	R403	*		RD14BB2C4R7J	RD 4.7 J 1/6W	EE1Z21
R251			RK73GB2A472J	CHIP R 4.7K J 1/10W	Z6Z7	R404			RD14BB2C101J	RD 100 J 1/6W	EE1Z21
R252,253			RD14BB2C472J	RD 4.7K J 1/6W	E2E3E4	R405-409			RD14BB2C472J	RD 4.7K J 1/6W	EE1Z21
R252,253			RD14BB2C472J	RD 4.7K J 1/6W	E5E6E7	R410,411			RD14BB2C101J	RD 100 J 1/6W	EE1Z21
R252,253			RD14BB2C472J	RD 4.7K J 1/6W	E8E9Z2	R412-415			RK73GB2A104J	CHIP R 100K J 1/10W	EE1Z21
R252,253			RD14BB2C472J	RD 4.7K J 1/6W	Z3Z4Z5	R415			RK73GB2A104J	CHIP R 100K J 1/10W	E2E3E4
R252,253			RD14BB2C472J	RD 4.7K J 1/6W	Z6Z7	R415			RK73GB2A104J	CHIP R 100K J 1/10W	E5E6E7
R254			RK73GB2A472J	CHIP R 4.7K J 1/10W	E2E3E4	R415			RK73GB2A104J	CHIP R 100K J 1/10W	E8E9Z2
R254			RK73GB2A472J	CHIP R 4.7K J 1/10W	E5E6E7	R415			RK73GB2A104J	CHIP R 100K J 1/10W	Z3Z4Z5
R254			RK73GB2A472J	CHIP R 4.7K J 1/10W	E8E9Z2	R415			RK73GB2A104J	CHIP R 100K J 1/10W	Z6Z7
R254			RK73GB2A472J	CHIP R 4.7K J 1/10W	Z3Z4Z5	R501			RK73GB2A682J	CHIP R 6.8K J 1/10W	
R254			RK73GB2A472J	CHIP R 4.7K J 1/10W	Z6Z7	R502			RK73GB2A222J	CHIP R 2.2K J 1/10W	
R255			RK73GB2A333J	CHIP R 33K J 1/10W		R503			RK73EB2E222J	CHIP R 2.2K J 1/4W	
R256			RK73FB2B102J	CHIP R 1.0K J 1/8W	E2E3E4	R505			RK73GB2A102J	CHIP R 1.0K J 1/10W	
R256			RK73FB2B102J	CHIP R 1.0K J 1/8W	E5E6E7	R506			RK73GB2A105J	CHIP R 1.0M J 1/10W	
R256			RK73FB2B102J	CHIP R 1.0K J 1/8W	E8E9Z2	R507			RK73GB2A102J	CHIP R 1.0K J 1/10W	
R256			RK73FB2B102J	CHIP R 1.0K J 1/8W	Z3Z4Z5	R521-524			RK73GB2A104J	CHIP R 100K J 1/10W	
R256			RK73FB2B102J	CHIP R 1.0K J 1/8W	Z6Z7	R525			RK73GB2A331J	CHIP R 330 J 1/10W	
R257			RK73GB2A622J	CHIP R 6.2K J 1/10W		R526			RK73GB2A562J	CHIP R 5.6K J 1/10W	
R258			RK73GB2A101J	CHIP R 100 J 1/10W	E2E3E4	R527			RK73GB2A104J	CHIP R 100K J 1/10W	
R258			RK73GB2A101J	CHIP R 100 J 1/10W	E5E6E7	R528			RD14BB2C104J	RD 100K J 1/6W	
R258			RK73GB2A101J	CHIP R 100 J 1/10W	E8E9Z2	R541			RK73GB2A102J	CHIP R 1.0K J 1/10W	EE1E2
R258			RK73GB2A101J	CHIP R 100 J 1/10W	Z3Z4Z5	R541			RK73GB2A102J	CHIP R 1.0K J 1/10W	E3E4E5
R258			RK73GB2A101J	CHIP R 100 J 1/10W	Z6Z7	R541			RK73GB2A102J	CHIP R 1.0K J 1/10W	E8E9Z
R258			RK73GB2A221J	CHIP R 220 J 1/10W	EE1Z21	R541			RK73GB2A102J	CHIP R 1.0K J 1/10W	Z1Z2Z3
R259			RD14BB2C223J	RD 22K J 1/6W		R541			RK73GB2A102J	CHIP R 1.0K J 1/10W	Z4Z5
R260			RK73GB2A751J	CHIP R 750 J 1/10W	E2E3E4	R542			RK73GB2A472J	CHIP R 4.7K J 1/10W	EE1E2
R260			RK73GB2A751J	CHIP R 750 J 1/10W	E5E6E7	R542			RK73GB2A472J	CHIP R 4.7K J 1/10W	E3E4E5
R260			RK73GB2A751J	CHIP R 750 J 1/10W	E8E9Z2	R542			RK73GB2A472J	CHIP R 4.7K J 1/10W	E8E9Z
R260			RK73GB2A751J	CHIP R 750 J 1/10W	Z3Z4Z5	R542			RK73GB2A472J	CHIP R 4.7K J 1/10W	Z1Z2Z3
R260			RK73GB2A751J	CHIP R 750 J 1/10W	Z6Z7	R542			RK73GB2A472J	CHIP R 4.7K J 1/10W	Z4Z5
R261			RK73GB2A100J	CHIP R 10 J 1/10W	EE1Z21	R543			RK73GB2A562J	CHIP R 5.6K J 1/10W	
R261			RK73GB2A431J	CHIP R 430 J 1/10W	E2E3E4	R544			RK73GB2A222J	CHIP R 2.2K J 1/10W	
R261			RK73GB2A431J	CHIP R 430 J 1/10W	E5E6E7	R545			RK73GB2A432J	CHIP R 4.3K J 1/10W	
R261			RK73GB2A431J	CHIP R 430 J 1/10W	E8E9Z2	R546			RK73GB2A333J	CHIP R 33K J 1/10W	
R261			RK73GB2A431J	CHIP R 430 J 1/10W	Z3Z4Z5	R547			RK73GB2A220J	CHIP R 22 J 1/10W	
R261			RK73GB2A431J	CHIP R 430 J 1/10W	Z6Z7	R561			RK73GB2A272J	CHIP R 2.7K J 1/10W	
R263			RK73GB2A184J	CHIP R 180K J 1/10W	E2E3E4	R563,564			RK73GB2A103J	CHIP R 10K J 1/10W	
R263			RK73GB2A184J	CHIP R 180K J 1/10W	E5E6E7	R565			RK73GB2A104J	CHIP R 100K J 1/10W	
R263			RK73GB2A184J	CHIP R 180K J 1/10W	E8E9Z2	R566,567			RK73GB2A102J	CHIP R 1.0K J 1/10W	
R263			RK73GB2A184J	CHIP R 180K J 1/10W	Z3Z4Z5	R581			RK73GB2A102J	CHIP R 1.0K J 1/10W	
R263			RK73GB2A184J	CHIP R 180K J 1/10W	Z6Z7	R585	*		RD14BB2C1R0J	RD 1.0 J 1/6W	
R263			RK73GB2A432J	CHIP R 4.3K J 1/10W	EE1Z21	W156,157			R92-2053-05	CHIP R 0 J 1/8W	
R264			RK73GB2A473J	CHIP R 47K J 1/10W		W158			R92-1252-05	CHIP R 0 OHM J 1/16W	

(Destination E & Z for EUROPE)

E3 : KDC-3027G **E4** : KDC-308A
E8 : KDC-F327A **E9** : KDC-F327G
Z3 : KDC-3027GY **Z4** : KDC-308AY

E : KDC-4027
E5 : KDC-308G
Z : KDC-4027Y
Z5 : KDC-308GY

E1 : KDC-4027V
E6 : KDC-2027SA
Z1 : KDC-4027VY
Z6 : KDC-2027SAY

E2 : KDC-3027A
E7 : KDC-2027SG
Z2 : KDC-3027AY
Z7 : KDC-2027SGY

△ Indicates safety critical components.

PARTS LIST

* New parts

Parts without **Parts No.** are not supplied.

Les articles non mentionnés dans le **Parts No.** ne sont pas fournis.

Teile ohne **Parts No.** werden nicht geliefert.

ELECTRIC UNIT (X34-3102-7x)

Ref. No.	A d	N e w	Parts No.	Description	Desti- nation	Ref. No.	A d	N e w	Parts No.	Description	Desti- nation
W161,162			R92-2053-05	CHIP R 0 J 1/8W		D106			MA4062-L	ZENER DIODE	
W165			R92-2053-05	CHIP R 0 J 1/8W		D108			MA4062-L	ZENER DIODE	E6E7Z6
W405,406			R92-1252-05	CHIP R 0 OHM J 1/16W	EE1ZZ1	D108			MA4062-L	ZENER DIODE	Z7
W409,410			R92-1252-05	CHIP R 0 OHM J 1/16W	EE1ZZ1	D108,109			MA4062-L	ZENER DIODE	EE1E2
W410			R92-1252-05	CHIP R 0 OHM J 1/16W	E2E3E4	D108,109			MA4062-L	ZENER DIODE	E3E4E5
W410			R92-1252-05	CHIP R 0 OHM J 1/16W	E5E6E7	D108,109			MA4062-L	ZENER DIODE	E8E9Z
W410			R92-1252-05	CHIP R 0 OHM J 1/16W	E8E9Z2	D108,109			MA4062-L	ZENER DIODE	Z1Z2Z3
W410			R92-1252-05	CHIP R 0 OHM J 1/16W	Z3Z4Z5	D108,109			MA4062-L	ZENER DIODE	Z4Z5
W415			R92-2053-05	CHIP R 0 J 1/8W	Z6Z7	D110			UDZS12B	ZENER DIODE	
W500,501			R92-1252-05	CHIP R 0 OHM J 1/16W		D111			UDZS5.6B	ZENER DIODE	EE1E2
W504,505			R92-1252-05	CHIP R 0 OHM J 1/16W		D111			UDZS5.6B	ZENER DIODE	E3E4E5
W506			R92-2053-05	CHIP R 0 J 1/8W		D111			UDZS5.6B	ZENER DIODE	E8E9Z
W507			R92-1252-05	CHIP R 0 OHM J 1/16W		D111			UDZS5.6B	ZENER DIODE	Z1Z2Z3
W508			R92-2053-05	CHIP R 0 J 1/8W		D201,202			MA4068(N)-M	ZENER DIODE	Z4Z5
W509			R92-1252-05	CHIP R 0 OHM J 1/16W		D251-253			1SS133	DIODE	
W510			R92-2053-05	CHIP R 0 J 1/8W		D261-263			AM01ZNF	DIODE	EE1ZZ1
W511			R92-1252-05	CHIP R 0 OHM J 1/16W	E6E7Z6	D264			D1F60	DIODE	EE1ZZ1
W511			R92-1252-05	CHIP R 0 OHM J 1/16W	Z7	D264			S1J	DIODE	EE1ZZ1
W511,512			R92-1252-05	CHIP R 0 OHM J 1/16W	EE1E2	D265,266			AM01ZNF	DIODE	EE1ZZ1
W511,512			R92-1252-05	CHIP R 0 OHM J 1/16W	E3E4E5	D267,268			D1F60	DIODE	EE1ZZ1
W511,512			R92-1252-05	CHIP R 0 OHM J 1/16W	E8E9Z	D267,268			S1J	DIODE	EE1ZZ1
W511,512			R92-1252-05	CHIP R 0 OHM J 1/16W	Z1Z2Z3	D401,402			MA4068(N)-M	ZENER DIODE	EE1ZZ1
W511,512			R92-1252-05	CHIP R 0 OHM J 1/16W	Z4Z5	D403-405			MA4062-L	ZENER DIODE	EE1ZZ1
W516			R92-1252-05	CHIP R 0 OHM J 1/16W		D407-410			MA4062-L	ZENER DIODE	EE1ZZ1
W517			R92-2053-05	CHIP R 0 J 1/8W		D411			MA3062WA	ZENER DIODE	EE1ZZ1
W519			R92-2053-05	CHIP R 0 J 1/8W		D501			RN739F	DIODE	
W521			R92-1252-05	CHIP R 0 OHM J 1/16W		D503			RN739F	DIODE	
W523,524			R92-1252-05	CHIP R 0 OHM J 1/16W		D504-506			KV1720S	VARIABLE CAPACITANCE DIODE	
W530			R92-2053-05	CHIP R 0 J 1/8W		IC1	*		UPD780058GC554	MICROCONTROLLER IC	EE1E2
W531,532			R92-1252-05	CHIP R 0 OHM J 1/16W		IC1	*		UPD780058GC554	MICROCONTROLLER IC	E3E4E5
W533			R92-2053-05	CHIP R 0 J 1/8W		IC1	*		UPD780058GC554	MICROCONTROLLER IC	E8E9Z
W534			R92-1252-05	CHIP R 0 OHM J 1/16W		IC1	*		UPD780058GC554	MICROCONTROLLER IC	Z1Z2Z3
W578			R92-1252-05	CHIP R 0 OHM J 1/16W		IC1	*		UPD780058GC554	MICROCONTROLLER IC	Z4Z5
W601			R92-1252-05	CHIP R 0 OHM J 1/16W		IC1	*		UPD780058GC555	MICROCONTROLLER IC	E6E7Z6
D1			1N5393G-M6	DIODE		IC1	*		UPD780058GC555	MICROCONTROLLER IC	Z7
D3			IMSA-6801	SURGE ABSORBER		IC4			TDA7386	ANALOGUE IC	E2E3E4
D10			MA4068(N)-M	ZENER DIODE		IC4			TDA7386	ANALOGUE IC	E5E6E7
D11			D1F60	DIODE		IC4			TDA7386	ANALOGUE IC	E8E9Z2
D12			AM01ZNF	DIODE		IC4			TDA7386	ANALOGUE IC	Z3Z4Z5
D13			D1F60	DIODE		IC4			TDA7386	ANALOGUE IC	Z6Z7
D14			AM01ZNF	DIODE		IC4			TDA7560	ANALOGUE IC	EE1ZZ1
D20			MA4068(N)-M	ZENER DIODE		IC6			TDA7479AD	ANALOGUE IC	EE1E2
D30			MA4047-M	ZENER DIODE	EE1E2	IC6			TDA7479AD	ANALOGUE IC	E3E4E5
D30			MA4047-M	ZENER DIODE	E3E4E5	IC6			TDA7479AD	ANALOGUE IC	E8E9Z
D30			MA4047-M	ZENER DIODE	E8E9Z	IC6			TDA7479AD	ANALOGUE IC	Z1Z2Z3
D30			MA4047-M	ZENER DIODE	Z1Z2Z3	IC6			TDA7479AD	ANALOGUE IC	Z4Z5
D40			1SS133	DIODE	Z4Z5	IC7			BA4911-V4	ANALOGUE IC	
D50			DAN202U	DIODE		IC8			HD74HC27FP-E	MOS-IC	
D51			MA4082(N)-L	ZENER DIODE		IC10	*		TDA7513T	ANALOGUE IC	
D70			MA4068(N)-M	ZENER DIODE		IC11			PST3435UL	MOS-IC	
D101			1SS133	DIODE		IC12			BR24C01AF-W	ROM IC	
D102			B30-1567-05	LED (1608,RED)		IC12			M24C01-WMN6T	ROM IC	
D103			DA204U	DIODE		IC12			S-24CS02AFJ-TB	MEMORY IC	
						Q10			ZSC4081	TRANSISTOR	

(Destination E & Z for EUROPE)

E : KDC-4027
E3 : KDC-3027G **E4** : KDC-308A **E5** : KDC-308G
E8 : KDC-F327A **E9** : KDC-F327G **Z** : KDC-4027Y
Z3 : KDC-3027GY **Z4** : KDC-308AY **Z5** : KDC-308GY

E1 : KDC-4027V **E2** : KDC-3027A
E6 : KDC-2027SA **E7** : KDC-2027SG
Z1 : KDC-4027VY **Z2** : KDC-3027AY
Z6 : KDC-2027SAY **Z7** : KDC-2027SGY

△ Indicates safety critical components.

KDC-2027SA/SAY/SG/SGY, 3027A/AY/G/GY KDC-308A/AY/G/GY, 4027/V/VY/Y, F327A/G

PARTS LIST

* New parts

Parts without **Parts No.** are not supplied.

Les articles non mentionnés dans le **Parts No.** ne sont pas fournis.

Teile ohne **Parts No.** werden nicht geliefert.

ELECTRIC UNIT (X34-3102-7x)

Ref. No.	Add	New	Parts No.	Description	Destination	Ref. No.	Add	New	Parts No.	Description	Destination
Q20			2SC4081	TRANSISTOR		25			D13-2154-04	GEAR	
Q40			DTA124EUA	DIGITAL TRANSISTOR		26			D13-2155-04	WORM	
Q50			2SA1036K	TRANSISTOR		27			D13-2156-14	GEAR	
Q51			UMC2N	TRANSISTOR		28			D13-2157-04	GEAR	
Q55			2SD2375	TRANSISTOR		29			D13-2158-04	GEAR	
Q70			2SC4081	TRANSISTOR		30			D13-2168-04	GEAR	
Q101			2SC4081	TRANSISTOR		31			D13-2171-04	GEAR	
Q102			DTA114YUA	DIGITAL TRANSISTOR		32			D13-2172-03	RACK (GEAR)	
Q201			2SC4081	TRANSISTOR	EE1E2	33			D14-0759-04	ROLLER	
Q201			2SC4081	TRANSISTOR	E3E4E5	35			D21-2382-04	SHAFT	
Q201			2SC4081	TRANSISTOR	E8E9Z	36		1A	D23-0954-04	RETAINER	
Q201			2SC4081	TRANSISTOR	Z1Z2Z3	37		1B	D39-0246-05	DAMPER	
Q201			2SC4081	TRANSISTOR	Z4Z5						
Q223,224			DTC143TUA	DIGITAL TRANSISTOR		38		2B	G01-3072-04	EXTENSION SPRING	
Q251			DTC114YUA	DIGITAL TRANSISTOR	E2E3E4	39		2A	G01-3073-04	TORSION COIL SPRING	
						40		2A	G01-3074-04	EXTENSION SPRING	
Q251			DTC114YUA	DIGITAL TRANSISTOR	E5E6E7	41		1B	G01-3075-14	EXTENSION SPRING	
Q251			DTC114YUA	DIGITAL TRANSISTOR	E8E9Z2	42		2A	G01-3076-04	EXTENSION SPRING	
Q251			DTC114YUA	DIGITAL TRANSISTOR	Z3Z4Z5						
Q251			DTC114YUA	DIGITAL TRANSISTOR	Z6Z7	43		1B	G01-3077-14	EXTENSION SPRING	
Q252			UMG4N	TRANSISTOR	EE1E2	44		2B	G02-1399-04	FLAT SPRING	
Q252			UMG4N	TRANSISTOR	E3E4E5	45		2B	G02-1408-04	FLAT SPRING	
Q252			UMG4N	TRANSISTOR	E8E9Z	51		1A	J21-9676-22	MOUNTING HARDWARE	
Q252			UMG4N	TRANSISTOR	Z1Z2Z3	52		3B	J21-9677-12	MOUNTING HARDWARE	
Q252			UMG4N	TRANSISTOR	Z4Z5	53		1B	J21-9678-13	MOUNTING HARDWARE	
Q253			UMA1N	TRANSISTOR	EE1E2	55		1A	J90-1001-11	GUIDE	
Q253			UMA1N	TRANSISTOR	E3E4E5	56		1B	J90-1023-03	GUIDE	
Q253			UMA1N	TRANSISTOR	E8E9Z						
Q253			UMA1N	TRANSISTOR	Z1Z2Z3	DFPC1		3A	J84-0141-05	FLAT CABLE (16PIN)	
Q253			UMA1N	TRANSISTOR	Z4Z5	A		2B	N09-4460-05	TAPTITE SCREW	
Q501			CPH5905	TRANSISTOR		B		1B	N09-4472-15	MACHINE SCREW	
						C		2B	N09-6004-05	MACHINE SCREW	
Q502			3SK126	DUAL FET		E		2B	N09-6007-05	MACHINE SCREW	
Q503			2SC4081	TRANSISTOR	EE1E2	F		1A	N09-6051-05	TAPTITE SCREW	
Q503			2SC4081	TRANSISTOR	E3E4E5						
Q503			2SC4081	TRANSISTOR	E8E9Z	G		2A	N19-2163-04	FLAT WASHER	
Q503			2SC4081	TRANSISTOR	Z1Z2Z3	H		1B	N39-2020-46	PAN HEAD MACHIN SCREW	
						J		1B	N09-6108-05	MACHINE SCREW	
Q503			2SC4081	TRANSISTOR	Z4Z5	DM1		3B	T42-1066-04	DC MOTOR ASSY (SPINDLE)	
TH1			PRF21BE471QB2	POSITIVE RESISTOR		DM2		3B	T42-1067-04	DC MOTOR ASSY (LOADING)	
MECHANISM ASSY (X92-4840-00)											
2	1B		A10-4827-22	CHASSIS		DPU1		2B	X93-2010-00	OPTICAL PICKUP ASS'Y	
5	1B	*	D10-4576-63	ARM ASS'Y							
8	2A		D10-4579-13	LEVER ASS'Y							
10	3A		D10-4581-13	ARM							
11	2A		D10-4582-13	ARM							
12	3A		D10-4583-03	ARM							
13	3A		D10-4584-03	ARM							
14	3B		D10-4585-03	ARM							
15	2A		D10-4586-13	SLIDER							
16	3B		D10-4587-32	SLIDER							
17	3B		D10-4588-13	SLIDER							
18	3B		D10-4595-04	ARM							
19	3B		D10-4596-14	ARM							
22	2A		D13-2151-04	GEAR							
23	2B		D13-2152-04	GEAR							
24	3B		D13-2153-04	GEAR							

(Destination E & Z for EUROPE)

E3 : KDC-3027G **E4** : KDC-308A **E5** : KDC-308G
E8 : KDC-F327A **E9** : KDC-F327G
Z3 : KDC-3027GY **Z4** : KDC-308AY

E : KDC-4027 **E1** : KDC-4027V **E2** : KDC-3027A
E6 : KDC-2027SA **E7** : KDC-2027SG
Z : KDC-4027Y **Z1** : KDC-4027VY **Z2** : KDC-3027AY
Z5 : KDC-308GY **Z6** : KDC-2027SAY **Z7** : KDC-2027SGY

△ Indicates safety critical components.

KDC-2027SA/SAY/SG/SGY, 3027A/AY/G/GY
KDC-308A/AY/G/GY, 4027N/VY/Y, F327A/G

SPECIFICATIONS

ITEM		KDC-4027/V/VY/Y	KDC-2027SA/SAY/SG/SGY, KDC-3027A/AY/G/GY, KDC-308A/AY/G/GY, KDC-F327A/G
FM	Frequency Range (Frequency step)	87.5MHz~108.0MHz (50kHz)	87.5MHz~108.0MHz (50kHz)
	Usable Sensitivity (S/N 26dB)	0.7 μ V/75 Ω	0.7 μ V/75 Ω
	Quieting Sensitivity (S/N 46dB)	1.6 μ V/75 Ω	1.6 μ V/75 Ω
	Frequency Response (\pm 3.0dB)	30Hz~15kHz	30Hz~15kHz
	S/N	65dB (MONO)	65dB (MONO)
	Selectivity (DIN)	\geq 80dB (\pm 400kHz)	\geq 80dB (\pm 400kHz)
	Stereo Separation	35dB (1kHz)	35dB (1kHz)
MW (AM)	Frequency Range (Frequency step)	531kHz~1611kHz (9kHz)	531kHz~1611kHz (9kHz)
	Usable Sensitivity (S/N 20dB)	25 μ V	25 μ V
LW	Frequency Range	153kHz~281kHz	153kHz~281kHz
	Usable Sensitivity (S/N 20dB)	45 μ V	45 μ V
CD	Laser Diode	GaAlAs	GaAlAs
	Digital Filter (D/A)	8 Times OverSampling	8 Times OverSampling
	D/A Converter	1 Bit	1 Bit
	Spindle Speed (rpm)	500~200 (CLV)	500~200 (CLV)
	Wow & Flutter	Below Mesurable Limit	Below Mesurable Limit
	Frequency Response	10Hz~20kHz (\pm 1dB)	10Hz~20kHz (\pm 1dB)
	Total Harmonic Distortion	0.01% (1kHz)	0.01% (1kHz)
	S/N Ratio	93dB (1kHz)	93dB (1kHz)
	Dynamic Range	93dB	93dB
Preout Level/Load-Unbalanced		2000mV/10k Ω (CD/CD-CH)	2000mV/10k Ω (CD)
Preout Impedance		\leq 600 Ω	\leq 600 Ω
AMP	PWR (MAX)	50W x 4	45W x 4
	PWR DIN45324, +B=14.4V	30W x 4	28W x 4
TONE	Bass	100Hz \pm 10dB	100Hz \pm 10dB
	Middle	1kHz \pm 10dB	1kHz \pm 10dB
	Treble	10kHz \pm 10dB	10kHz \pm 10dB
GENERAL	Operating voltage (11~16V allowable)	14.4V	14.4V
	Current Consumption	10A	10A
	Installation Size (W x H x D)	182 x 53 x 155 mm	182 x 53 x 155 mm
	Weight	1.40kg (3.1lbs)	1.40kg (3.1lbs)

KENWOOD follows a policy of continuous advancements in development. For this reason specifications may be changed without notice.

KENWOOD CORPORATION

2967-3, Ishikawa-machi, Hachioji-shi, Tokyo, 192-8525 Japan

KENWOOD USA CORPORATION
P.O. Box 22745, 2201 East Dominguez Street, Long Beach, CA 90801-5745, U.S.A.

KENWOOD ELECTRONICS CANADA INC.
6070 Kestrel Road, Mississauga, Ontario, Canada L5T 1S8

KENWOOD ELECTRONICS LATIN AMERICA S.A.
P.O. Box 55-2791 Paiteilla, Plaza Credicorp Bank Panama,
Piso 9, Oficina 901, Calle 50, Panama, Rep. de Panama

KENWOOD ELECTRONICS BRASIL LTDA.
Alameda Ministro Rocha Azevedo No. 456,
Edifício Jaú, 10o Andar, Cerqueira César, Cep 0140-001,
São Paulo-SP-Brasil

KENWOOD ELECTRONICS UK LIMITED
Kenwood House, Dwight Road, Watford, Herts, WD18 9EB, United Kingdom

KENWOOD ELECTRONICS DEUTSCHLAND GMBH
Rembrücker-Str. 15, 63150 Heusenstamm, Germany

KENWOOD ELECTRONICS FRANCE S.A.
13, Boulevard Ney, 75018 Paris, France

KENWOOD ELECTRONICS BELGIUM N.V.
Leuvensesteenweg 248 J, 1800 Vilvoorde, Belgium

KENWOOD ELECTRONICS ITALIA S.p.A.
Via G. Sirtori 7/9, 20129 Milano, Italy

KENWOOD IBÉRICA S.A.
Bolivia, 239-08020 Barcelona, Spain

KENWOOD ELECTRONICS AUSTRALIA PTY. LTD. (A.C.N. 001 499 074)
16 Giffnock Avenue, Centrecourt Estate, North Ryde,
N.S.W. 2113, Australia

KENWOOD ELECTRONICS (HONG KONG) LTD.
Unit 3712-3724, Level 37, Tower 1, Metroplaza, 223 Hing Fong Road, Kwai Fong, N.T.,
Hong Kong

KENWOOD ELECTRONICS GULF FZE
P.O. Box 61318, Jebel Ali, Dubai, U.A.E.

KENWOOD ELECTRONICS (THAILAND) CO., LTD.
2019 New Pechburi Road, Bangkok, Huaykwang, Bangkok, 10320 Thailand

KENWOOD ELECTRONICS SINGAPORE PTE. LTD.
1 Genting Lane, #07-00, Kenwood Building, Singapore, 349544

KENWOOD ELECTRONICS (MALAYSIA) SDN BHD
#4.01 Level 4, Wisma Academy Lot 4A, Jalan 19/1, 46300 Petaling Jaya, Selangor Darul Ehsan,
Malaysia